

PIB – SERIES *Plus*

Submersible Vortex Pump

3/4 HP
2" NPT Discharge
115 GPM @ 15' TDH
32' Maximum TDH

Applications:

Commercial sewage /
High-capacity sump /
Water transfer / Effluent

Features:

All cast iron construction
Oil-filled sealed motor
Auto-thermal overload reset
2" solid handling
120F continuous operation
Double mechanical seal design
10-vane cast iron vortex impeller
20-ft strain relief power cord
Built-in automatic float switch
300 series stainless steel hardware



PIB – SERIES *Plus*

Submersible Vortex Pump

Pump Construction:

Volute: Cast iron, class 30

Motor Housing: Cast iron, class 30

Seal Plate: Cast iron, class 30

Impeller: Cast iron, class 30 (dynamically balanced)

Shaft: 420 series stainless steel

Mechanical Seal: Carbon/ceramic ; silicon carbide/H-20

Power cable : 20' UL & CUL 14 AWG, type SJTOW cord with plug

Max Fluid Temperature: 120F continuous (140F intermittent)

Bearing(s): Upper and lower single row oil lubricated ball bearings

Float Switch: Mechanical swing type submersible float switch

Specifications:

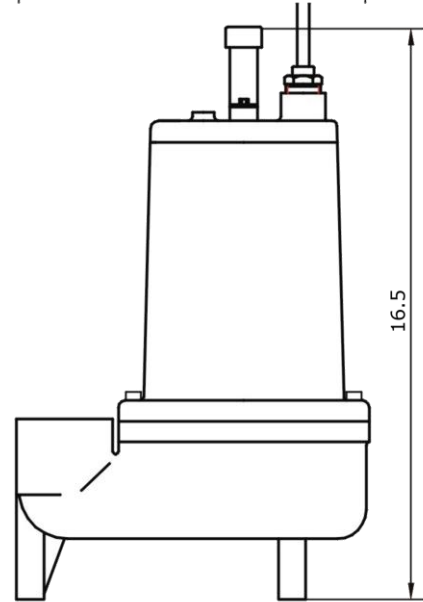
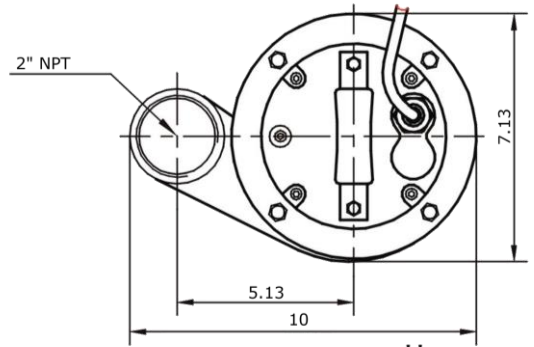
Motor data: ¾HP, 3450RPM, 1Ph/115V, 60Hz, 14FLA

Net weight: 62lbs

Minimum installation opening: 10"Ø cutout

Minimum pit dimension (recommended): 18"Ø x 18"

Suspension plate design: B design



PIB Series other offerings



½HP Sewage Pump



1HP Grinder

