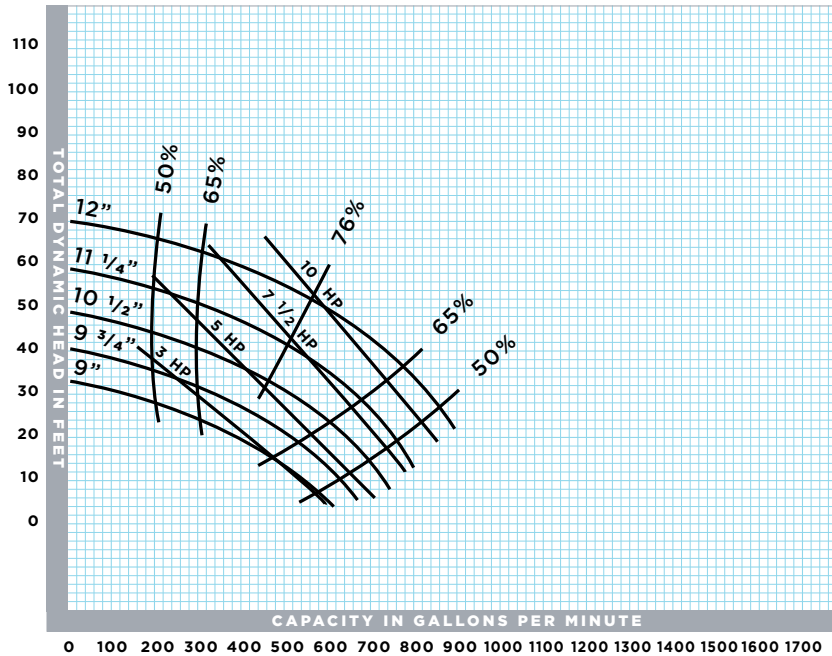


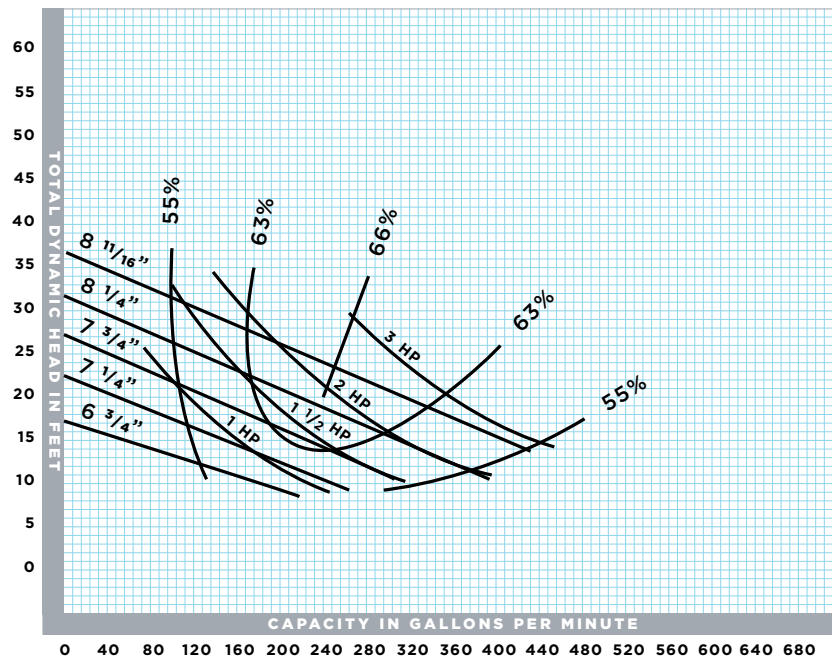
Performance Charts



TYPE VSABM & VSABV
 DRY PIT SEWAGE PUMPS
 BULLETIN 230

Section 4
 Curve Page VSABM-4
 July, 1984

1150 RPM
MODEL: VSABM-4E & VSABV-4E
DISCHARGE SIZE: 4"
IMPELLER: 26854



TYPE VSABM & VSABV
 DRY PIT SEWAGE PUMPS
 BULLETIN 230

Section 4
 Curve Page VSABM-3
 July, 1984

1150 RPM
MODEL: VSABM-4B & VSABV-4B
DISCHARGE SIZE: 4"
IMPELLER: SA-140

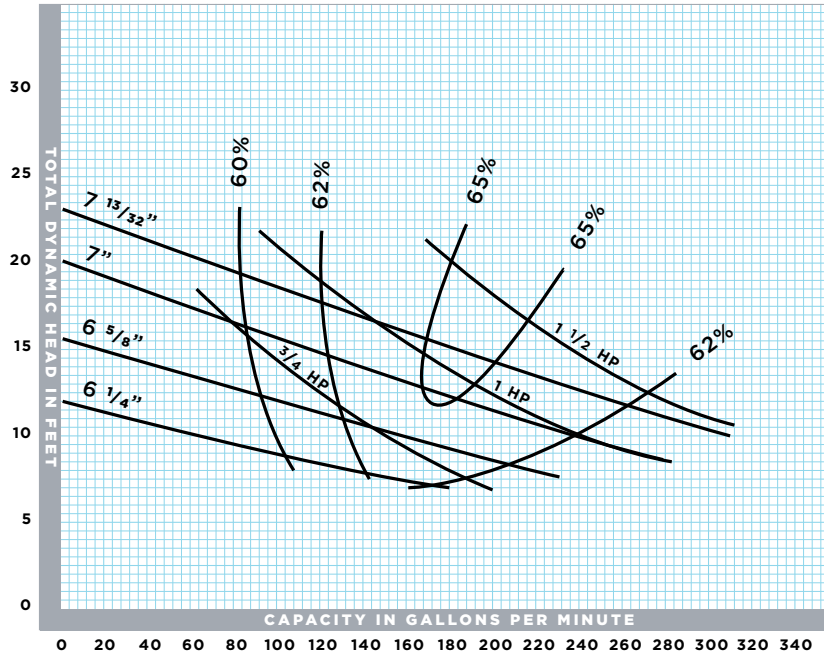


Supplemental # 0210

ADDRESS: 1144 Utica Avenue, Brooklyn, NY 11203 TEL: (718) 451-2000 URL: federalpumps.com

All images and information contained in this booklet are the sole property of The Federal Pumps Corporation, and may not be reproduced without written permission.

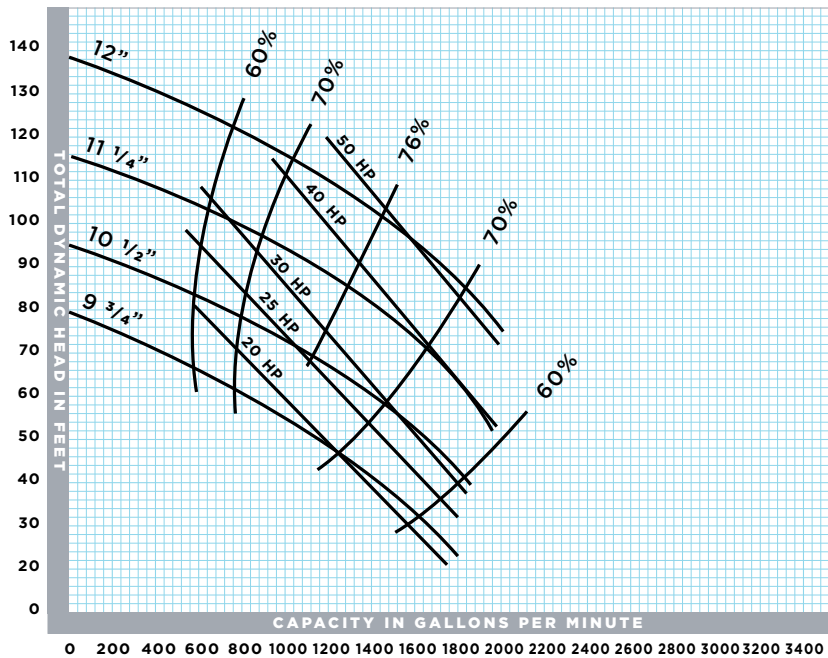
Performance Charts



TYPE VSABM & VSABV
 DRY PIT SEWAGE PUMPS
 BULLETIN 230

Section 4
 Curve Page VSABM-3
 July, 1984

1150 RPM
MODEL: VSABM-4B & VSABV-4B
DISCHARGE SIZE: 4"
IMPELLER: SA-125



TYPE VSABM & VSABV
 DRY PIT SEWAGE PUMPS
 BULLETIN 230

Section 4
 Curve Page VSABM-2
 July, 1984

1750 RPM
MODEL: VSABM-6H & VSABV-6H
DISCHARGE SIZE: 6"
IMPELLER: 26858

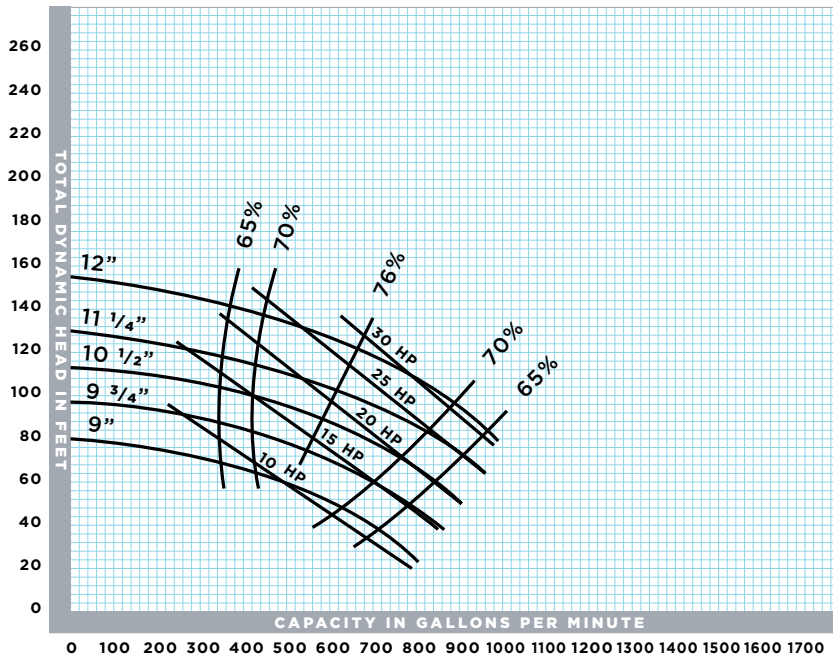


Supplemental # 0210

ADDRESS: 1144 Utica Avenue, Brooklyn, NY 11203 TEL: (718) 451-2000 URL: federalpumps.com

All images and information contained in this booklet are the sole property of The Federal Pumps Corporation, and may not be reproduced without written permission.

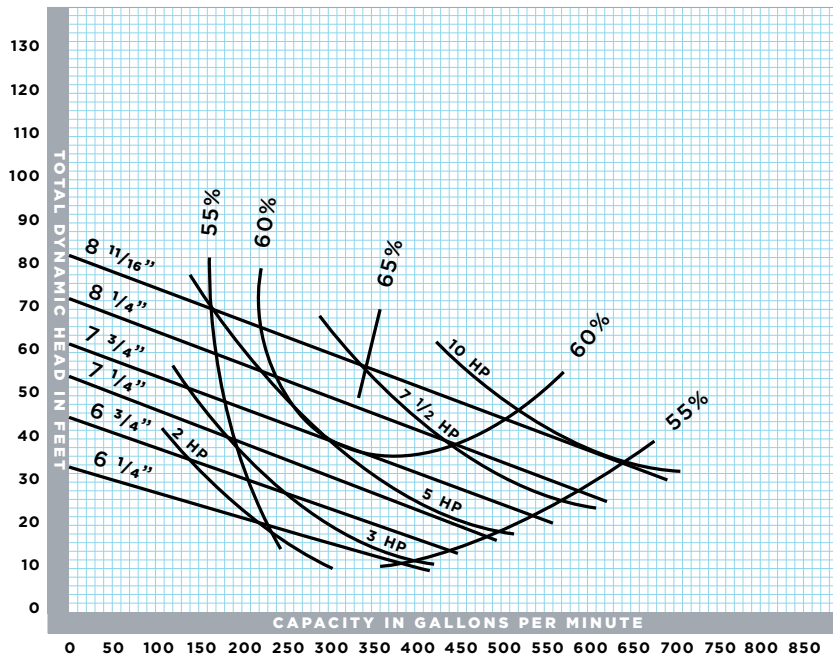
Performance Charts



TYPE VSABM & VSABV
 DRY PIT SEWAGE PUMPS
 BULLETIN 230

Section 4
 Curve Page VSABM-2
 July, 1984

1750 RPM
MODEL: VSABM-4E & VSABV-4E
DISCHARGE SIZE: 4"
IMPELLER: 26854



TYPE VSABM & VSABV
 DRY PIT SEWAGE PUMPS
 BULLETIN 230

Section 4
 Curve Page VSABM-1
 July, 1984

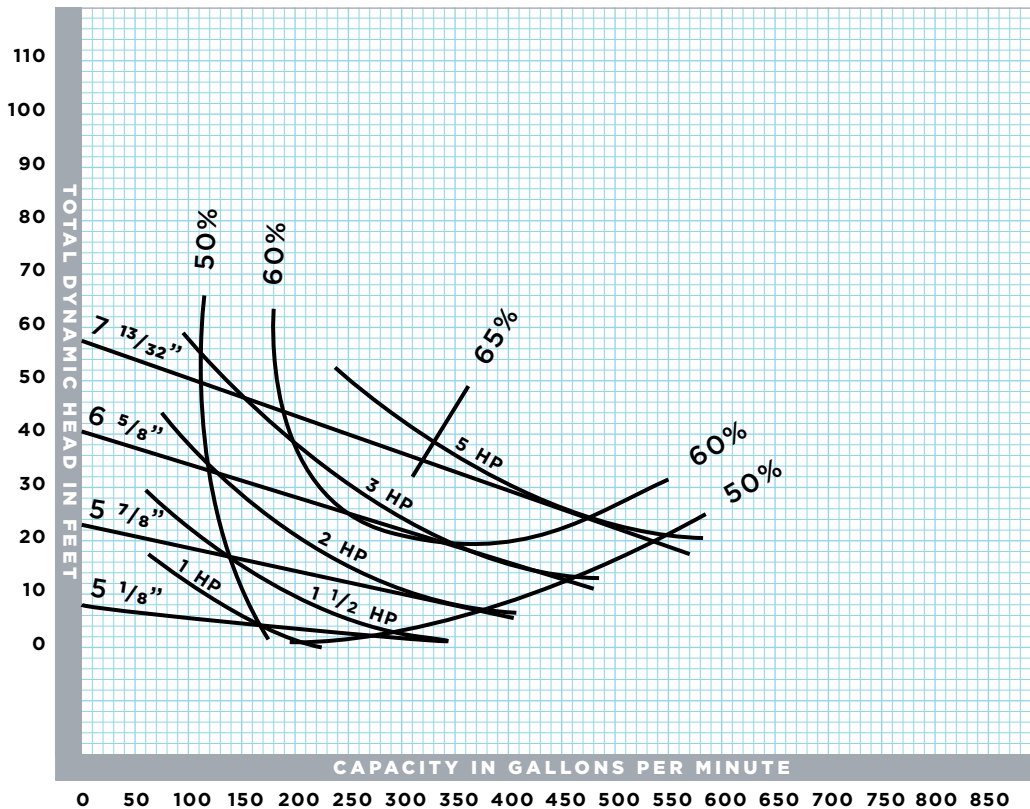
1750 RPM
MODEL: VSABM-4B & VSABV-4B
DISCHARGE SIZE: 4"
IMPELLER: SA-140



Supplemental # 0210

ADDRESS: 1144 Utica Avenue, Brooklyn, NY 11203 TEL: (718) 451-2000 URL: federalpumps.com

All images and information contained in this booklet are the sole property of The Federal Pumps Corporation, and may not be reproduced without written permission.

Performance Charts


TYPE VSABM & VSABV
 DRY PIT SEWAGE PUMPS
 BULLETIN 230

Section 4
 Curve Page VSABM-1
 July, 1984

1750 RPM
MODEL: VSABM-4B & VSABV-4B
DISCHARGE SIZE: 4"
IMPELLER: SA-125

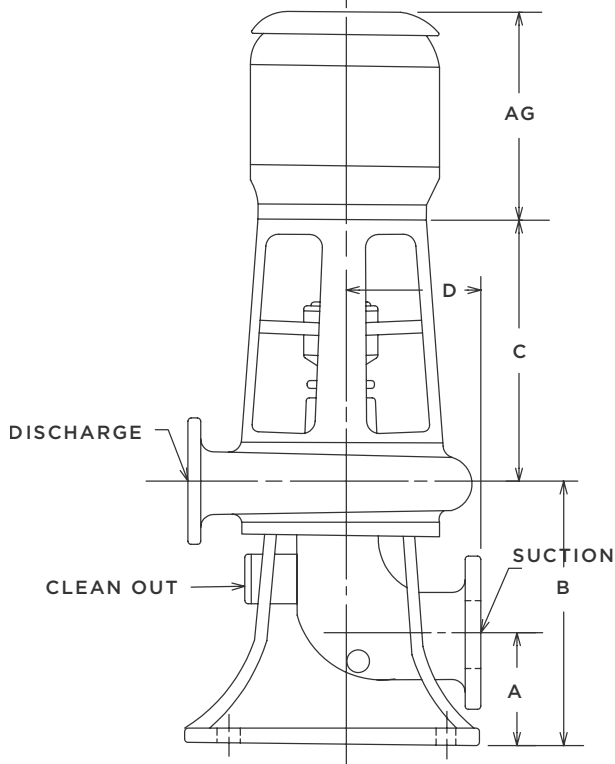
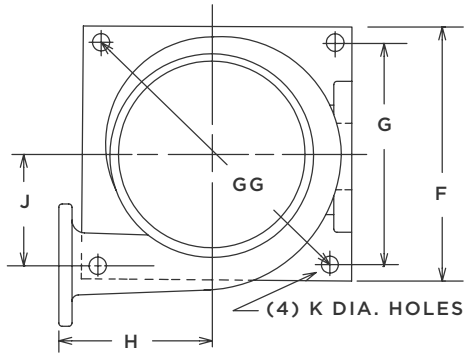


Supplemental # 0210

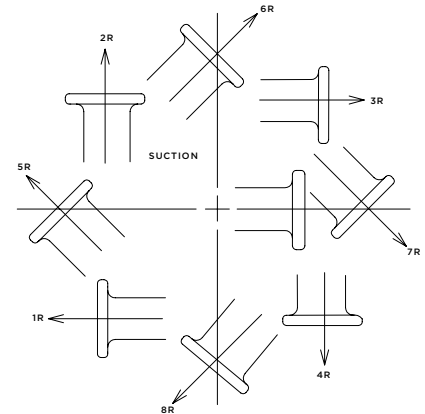
ADDRESS: 1144 Utica Avenue, Brooklyn, NY 11203 TEL: (718) 451-2000 URL: federalpumps.com

All images and information contained in this booklet are the sole property of The Federal Pumps Corporation, and may not be reproduced without written permission.

Parts List & Diagram



DIMENSIONS	
MOTOR FRAME	AG APPROX.
182C	14
184C	14
213C	17
215C	17
254UC	21
256UC	21
284UC	23
286UC	23
324UC	24
326UC	24
364UC	30
365UC	30



DIMENSIONS												
PUMP	DISCHARGE	SUCTION	A	B	C	D	F (SQ.)	G (SQ.)	H	J	K	GG (DIA.)
VSABM-4B	4	4	6.5	16.5	15.75	8.5	15	13.25	9	6.75	0.875	-
VSABM-4E	4	4	5.5	16.375	29.25	6.5	15.5	-	9.5	8.125	0.625	19.5
VSABM-6H	6	6	7	19.625	29.5	8	19.75	-	9.5	9.5	0.625	25.5

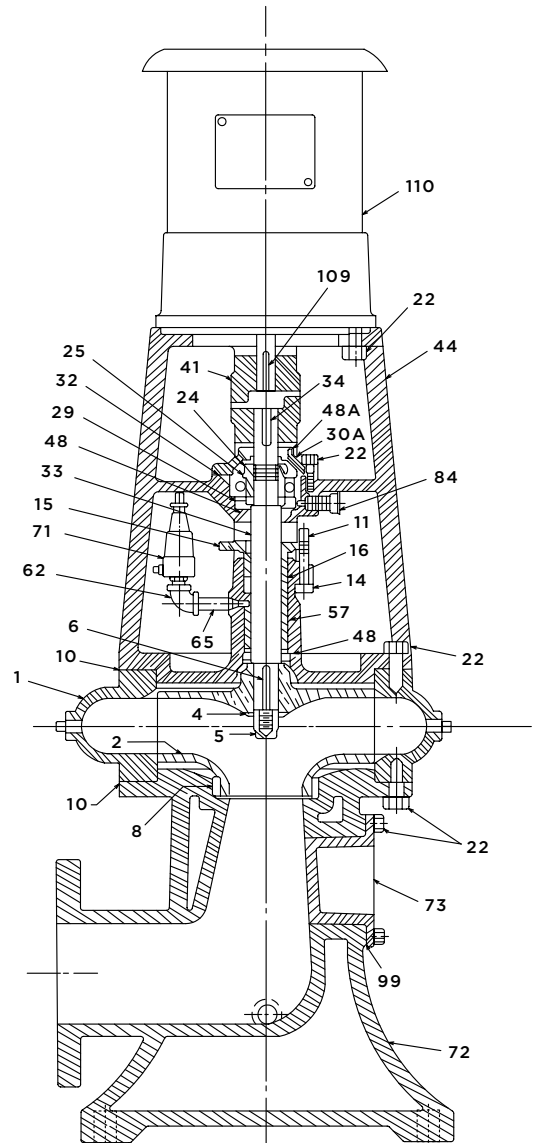
Notes:
 1. All dimensions are in inches unless otherwise noted. Do not use for construction purposes unless certified
 2. Suction and discharge flanges are 125# ASA standard.
 3. VSABM-4B pumps are available with right hand rotation only, VSABM-4E and VSABM-6H pumps are available with right hand or left hand rotation. The right hand rotation discharge position '1R' is standard on all pumps unless otherwise specified.



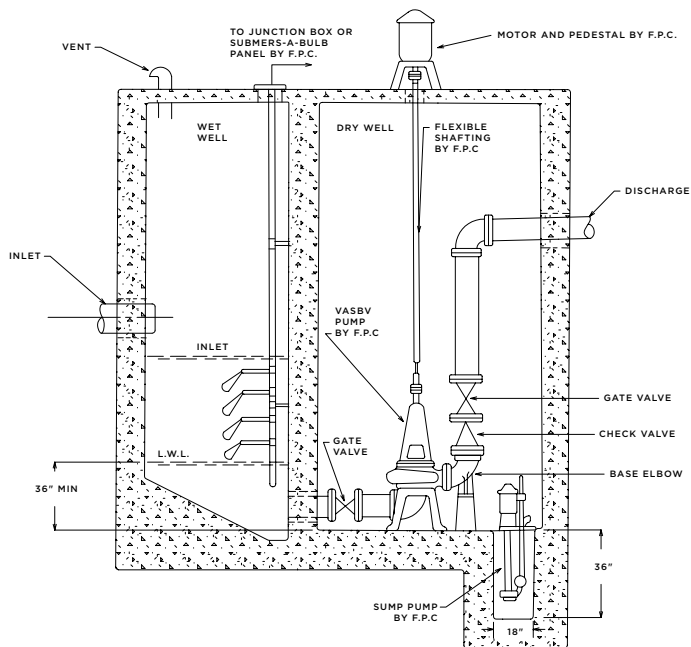
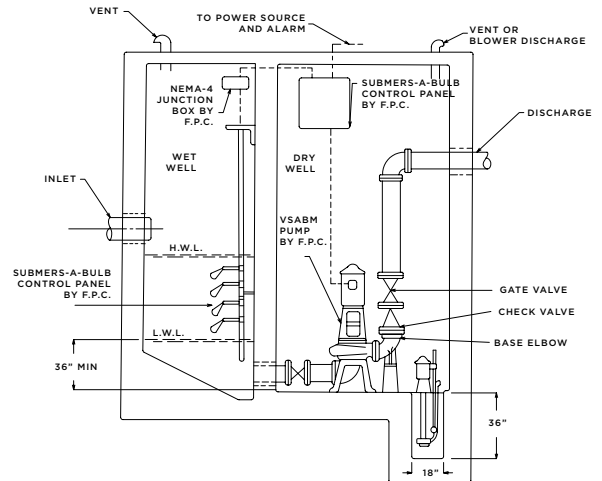
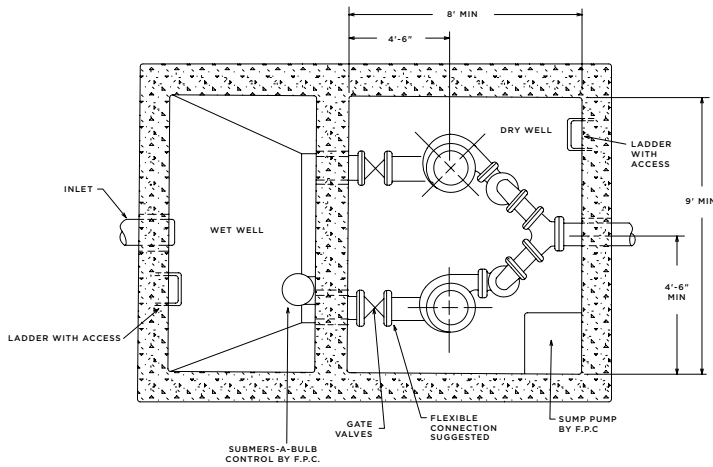
Parts List & Diagram

PARTS LIST					
PART NO.	NAME	REQUIRED	STANDARD FITTED	ALL IRON	ALL BRONZE
1	PUMP CASING	1	CAST IRON	CAST IRON	BRONZE
2	IMPELLER	1	CAST IRON	CAST IRON	BRONZE
4	IMPELLER WASHER	1*	ST. ST.	ST. ST.	BRASS
5	IMPELLER NUT	1*	BRASS	STEEL	BRASS
6	IMPELLER KEY	1*	STEEL	STEEL	ST. ST.
8	CASING WEARING RING	1*	BRONZE	STEEL	BRONZE
10	CASING GASKET	2*	VELUMOID	VELUMOID	VELUMOID
11	GLAND NUT	2*	BRASS	STEEL	BRASS
14	GLAND STUD	2*	STEEL	STEEL	BRASS
15	PACKING GLAND	1*	BRONZE	STEEL	BRONZE
16	PACKING	1SET*	SILICONE	SILICONE	SILICONE
22	CAP SCREW	-	STEEL	STEEL	BRASS
24	BEARING LOCK NUT	1	STEEL	STEEL	STEEL
25	BEARING LOCK WASHER	1	STEEL	STEEL	STEEL
29	BEARING COLLAR	1	STEEL	STEEL	STEEL
30A	BEARING CAP	1	CAST IRON	CAST IRON	CAST IRON
32	BALL BEARING	1*	STEEL	STEEL	STEEL
33	SHAFT	1	ST. ST.	ST. ST.	ST. ST.
34	PUMP SHAFT KEY	1*	STEEL	STEEL	ST. ST.
41	COUPLING	1*	VARIOUS	VARIOUS	VARIOUS
44	PEDESTAL	1	CAST IRON	CAST IRON	BRONZE
48	BALL BEARING SEAL	1*	VARIOUS	VARIOUS	VARIOUS
48	SLEEVE BEARING SEAL	1*	VARIOUS	VARIOUS	VARIOUS
48A	BEARING CAP SEAL	1*	VARIOUS	VARIOUS	VARIOUS
57	SLEEVE BEARING	1*	BRONZE	ST. ST.	BRONZE
62	90 DEGREE ELBOW	1	STEEL	STEEL	BRASS
65	NIPPLE	1	STEEL	STEEL	BRASS
71	AUTO GREASER	1	STEEL	STEEL	STEEL
72	BASE	1	CAST IRON	CAST IRON	BRONZE
73	CLEANOUT COVER	1	CAST IRON	CAST IRON	BRONZE
84	GREASE CUP	1	STEEL	STEEL	STEEL
99	CLEANOUT GASKET	1	VELUMOID	VELUMOID	VELUMOID
109	MOTOR SHAFT KEY	1*	STEEL	STEEL	STEEL
110	MOTOR SHAFT KEY	1	VARIOUS	VARIOUS	VARIOUS

* RECOMMENDED SPARE PARTS TO BE CARRIED IN STOCK.
NOTE: SOME SPARE PART NUMBERS SHOWN ABOVE ARE NOT FEDERAL PUMP STANDARD PART NUMBERS.



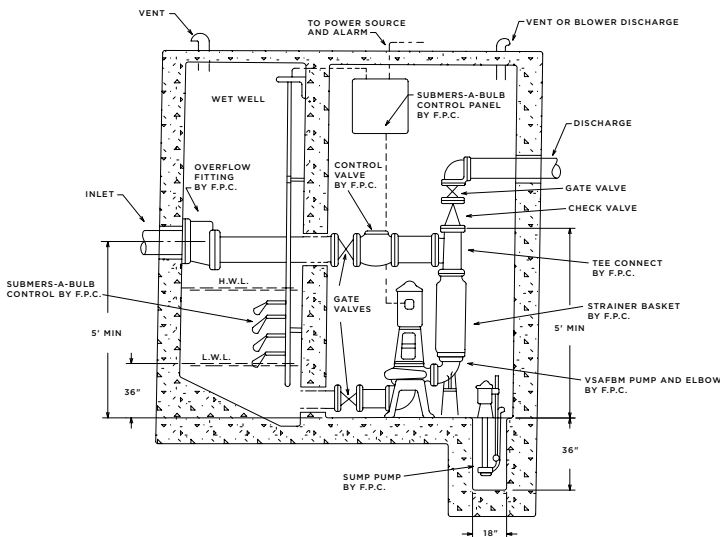
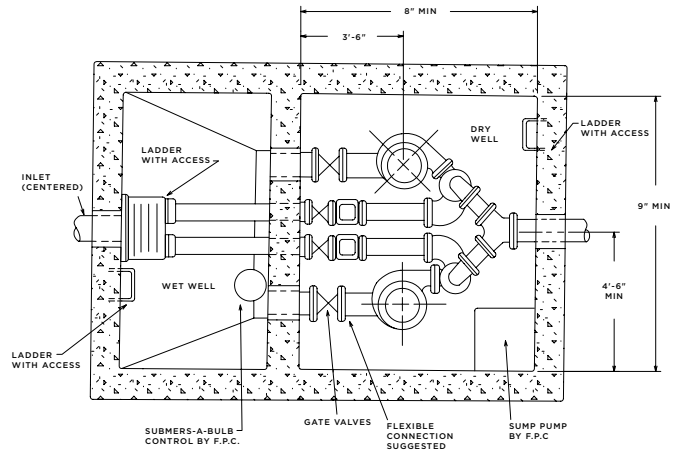
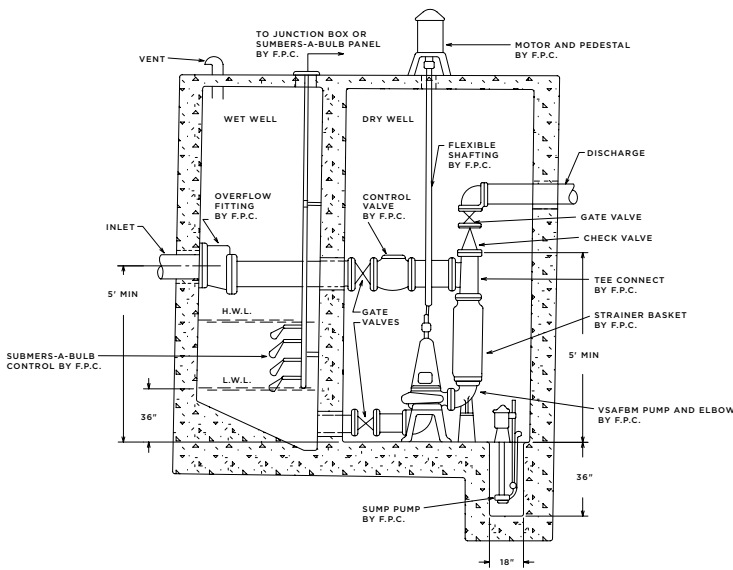
Diagram



Notes:

1. Sump pump should be Federal model VB-1-1/2-1/3-4 with single phase motor. Sump pump discharge should be piped up and back into the wet well. Provide independent power supply.
2. Equipment and fitting not shown as "by F.P.C."; Are generally furnished by others.
3. For information on Federal type SBS Submers-a-bulb controls, see No. 263.
4. Proper lighting and ventilation of the dry well should be provided, plus convenient access and ladders in both wet and dry wells. Electrically operated dehumidifier is recommended for the dry well, with its drain piped to sump pit.

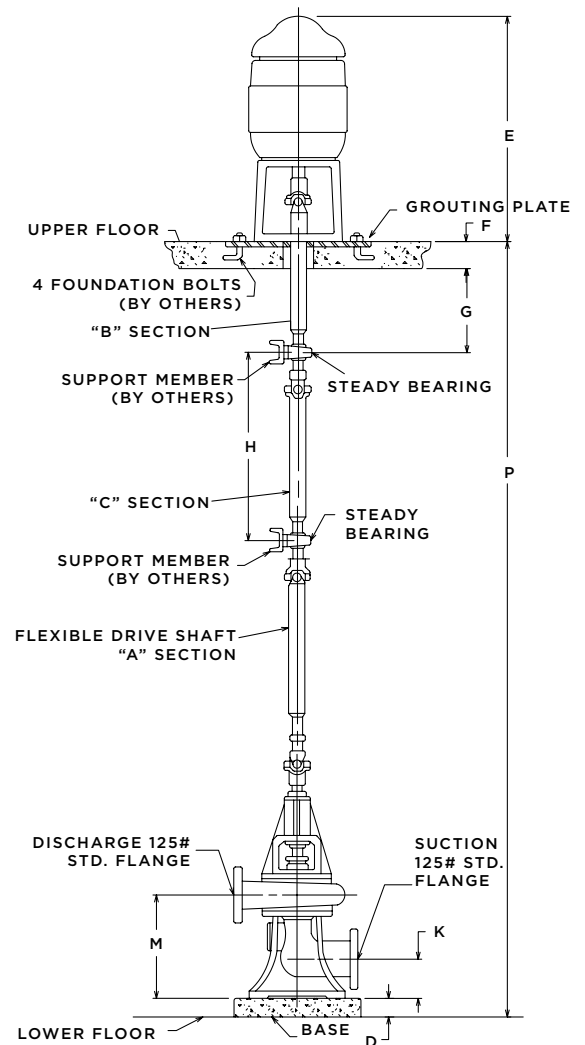
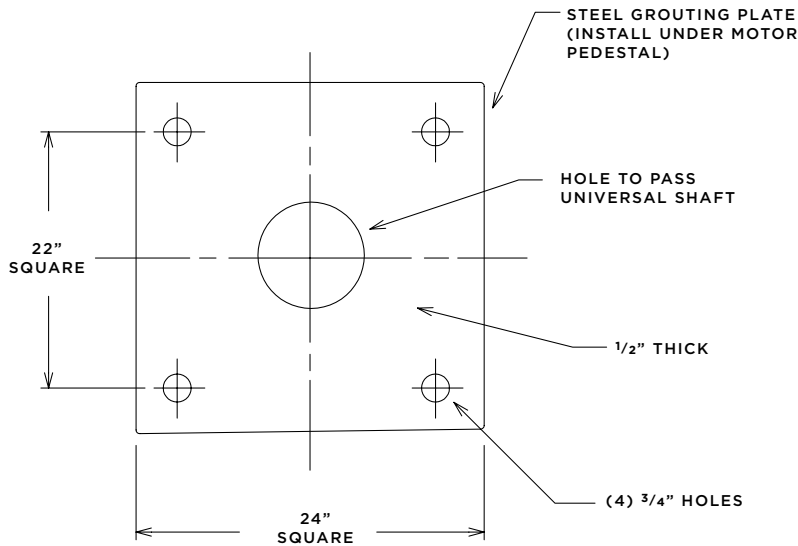
Diagram



NOTES

1. All dimensions are in inches unless otherwise stated. Do not use for construction purposes unless certified.
2. The following equipment is furnished by federal pump corporation: pump, universal shafting, steady bearings (if required), grouting plate, motor pedestal and motor.
3. The following equipment is furnished by others: foundation bolts, concrete base for pump, support members for steady bearings (if required).
4. Universal shafting is furnished in one, two, or three sections, depending on the floor-to-floor distance and the motor H.P. and R.P.M. One section shafting does not require a steady bearing, two section shafting requires one steady bearing, and three section shafting requires two steady bearings.
5. Contractor must furnish "D" and "P" dimensions, to permit proper sizing of shafting.†

Diagrams



NOTES:

1. All dimensions are in inches unless stated otherwise. Do not use for construction purposes unless certified.
2. The following equipment is furnished by Federal Pump Corporation: pump, universal shafting, steady bearings (if required), grouting plate, motor pedestal and motor.
3. The following equipment is furnished by others: foundation bolts, concrete base for pump, support members for the steady bearings (if required).
4. Universal shafting is furnished in one, two or three sections, depending on the floor-to-floor distance and the motor H.P. and R.P.M. One-section shafting does not require a steady bearing, two section shafting requires one steady bearing and three-section shafting requires two steady bearings.
5. Contractor must furnish ϕ D; and ϕ P; dimensions, to permit proper sizing of shafting.