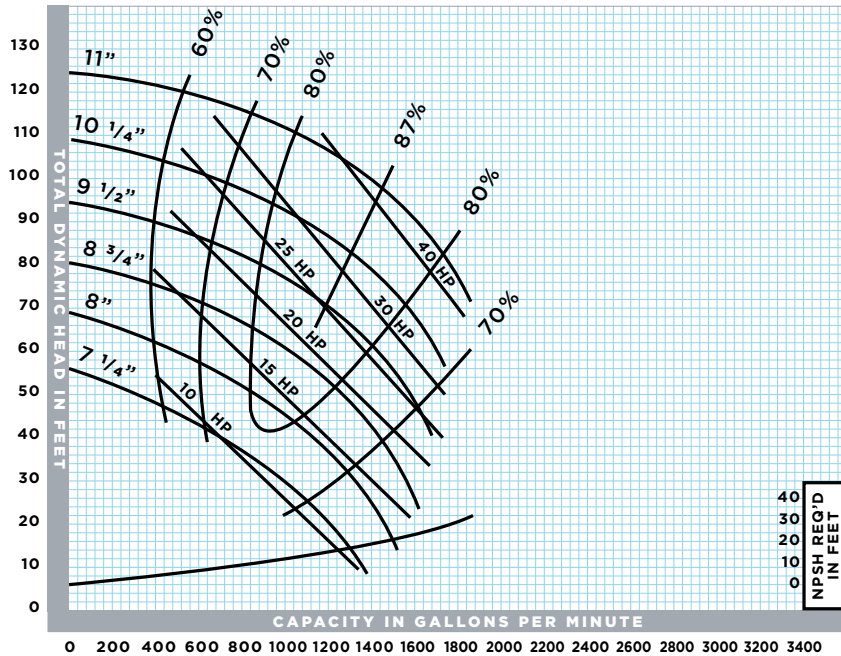


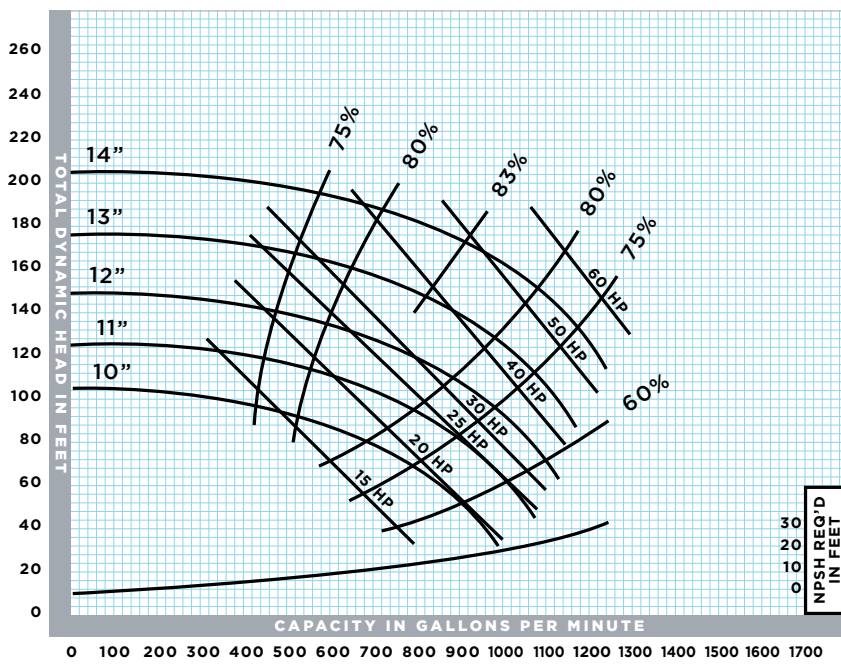
### Performance Chart



**TYPE SC AND SSC**  
 HORIZONTALLY SPLIT CASE PUMPS  
 BULLETIN 185

Section 7  
 Curve Page SC-8  
 October, 1986

**1750 RPM**  
**MODEL: 6SC**  
**DISCHARGE SIZE: 6"**  
**IMPELLER: 6SC-2-50**



**TYPE SC AND SSC**  
 HORIZONTALLY SPLIT CASE PUMPS  
 BULLETIN 185

Section 7  
 Curve Page SC-7  
 October, 1986

**1750 RPM**  
**MODEL: 4SCH**  
**DISCHARGE SIZE: 4"**  
**IMPELLER: 4SCH-2-60**

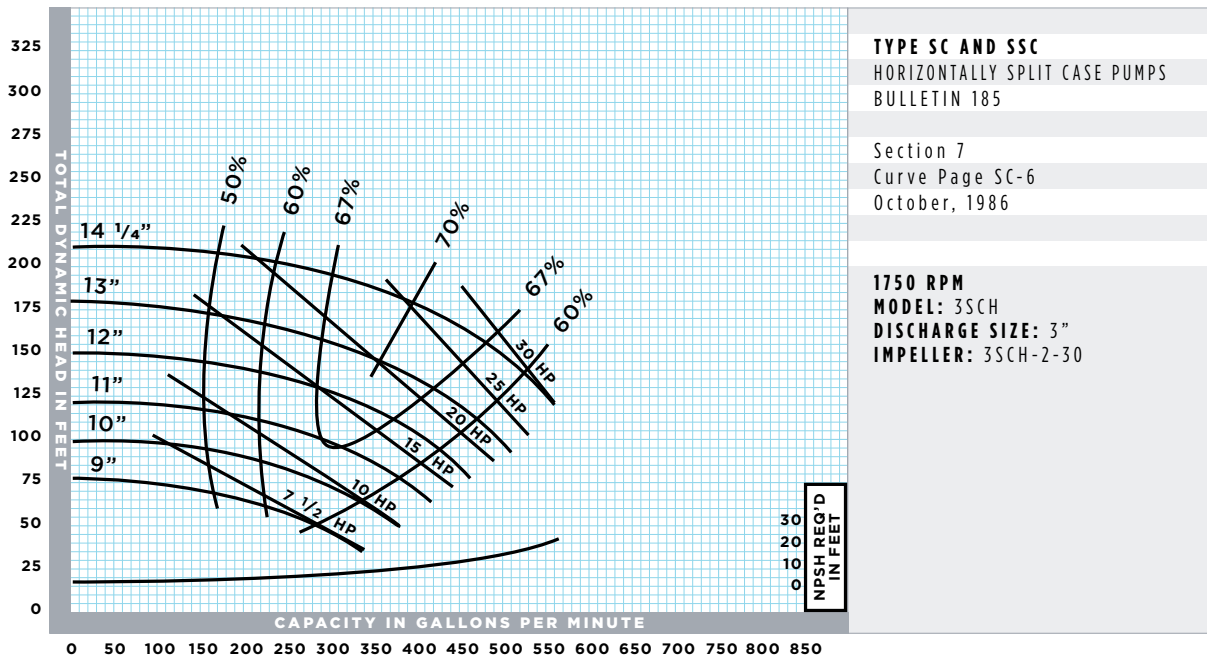
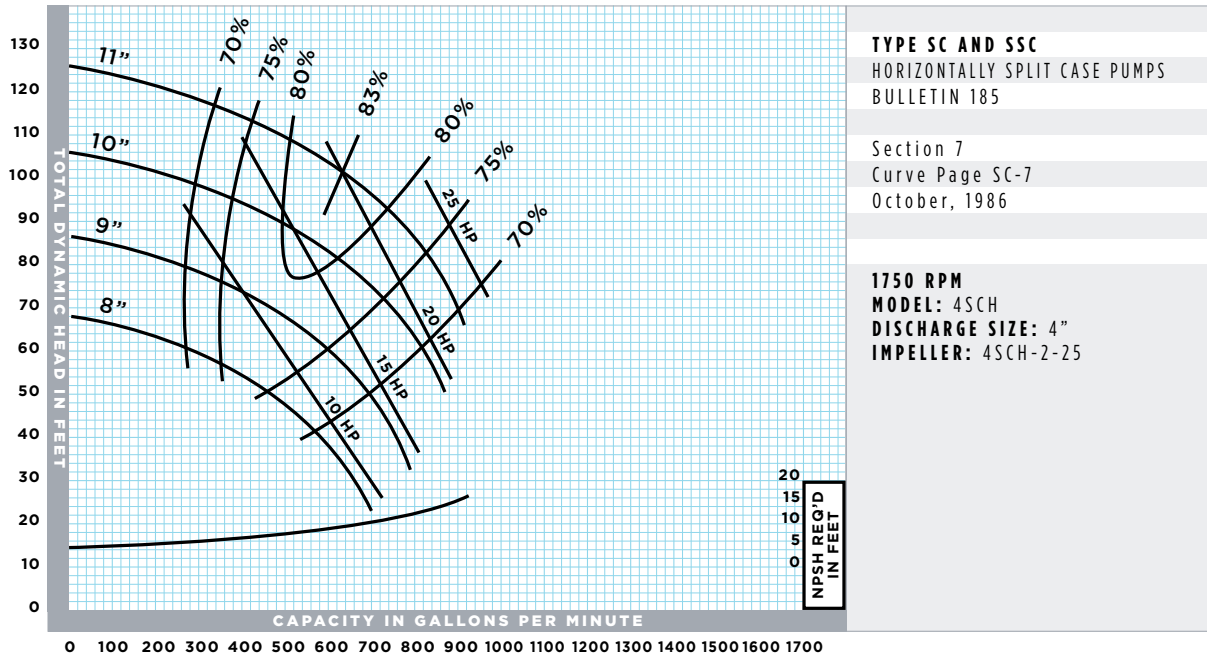


Supplemental # 0210

ADDRESS: 1144 Utica Avenue, Brooklyn, NY 11203 TEL: (718) 451-2000 URL: federalpumps.com

All images and information contained in this booklet are the sole property of The Federal Pumps Corporation, and may not be reproduced without written permission.

### Performance Chart

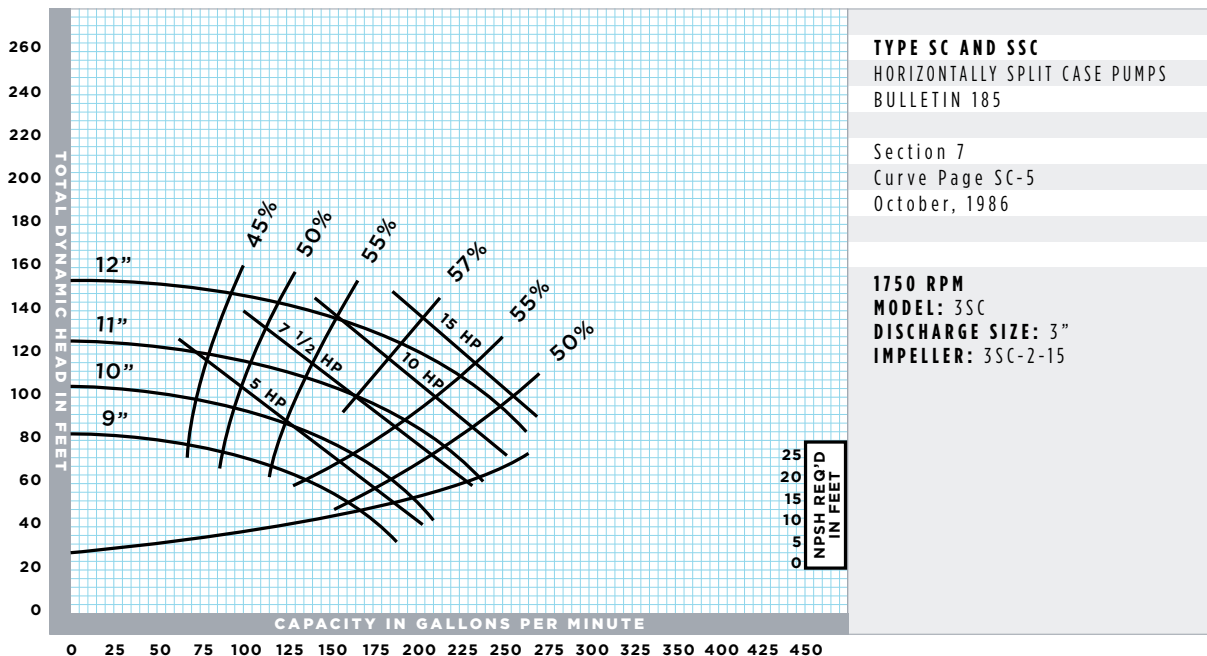
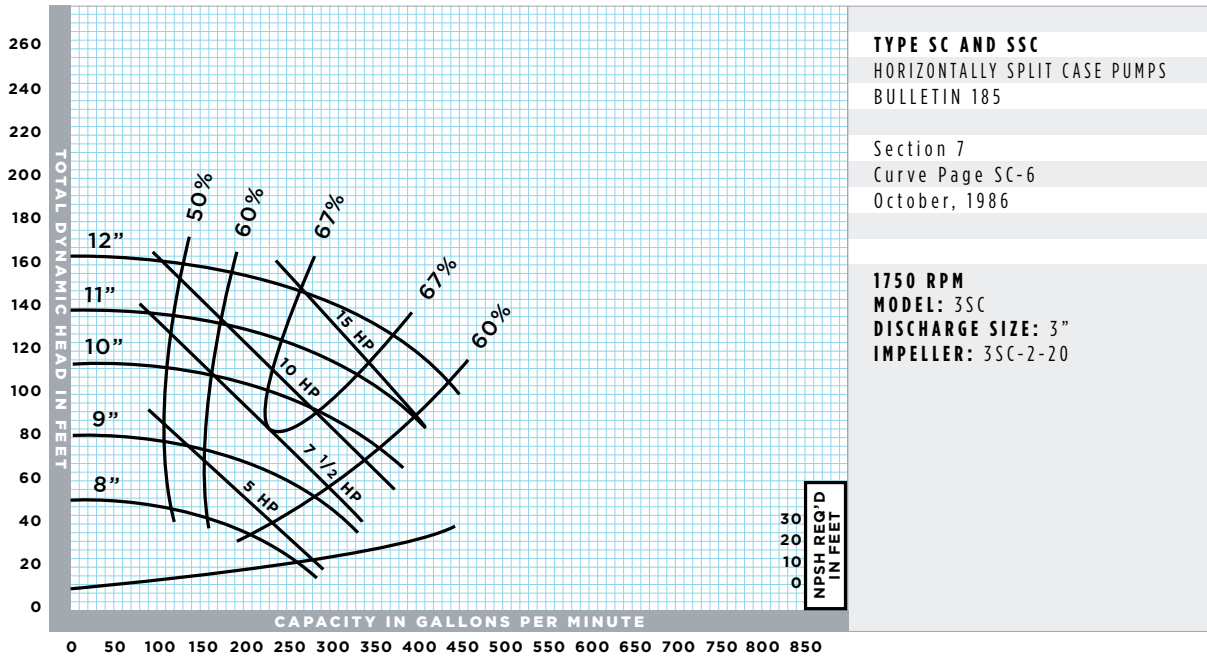


Supplemental # 0210

ADDRESS: 1144 Utica Avenue, Brooklyn, NY 11203 TEL: (718) 451-2000 URL: federalpumps.com

All images and information contained in this booklet are the sole property of The Federal Pumps Corporation, and may not be reproduced without written permission.

### Performance Chart

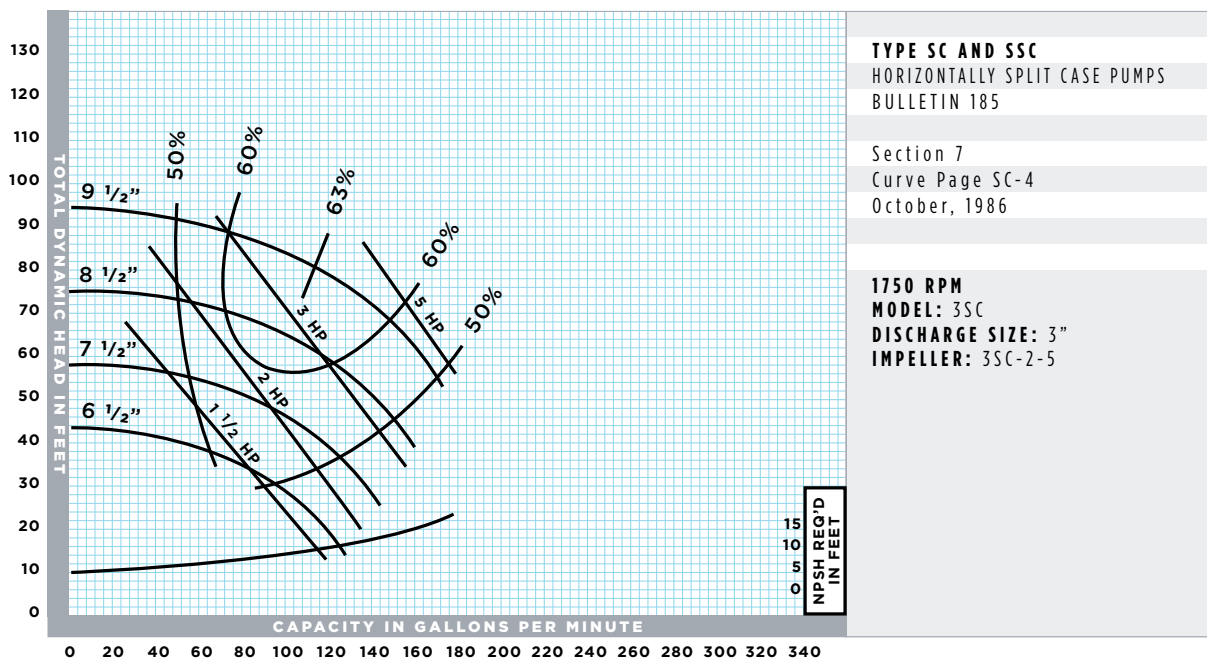
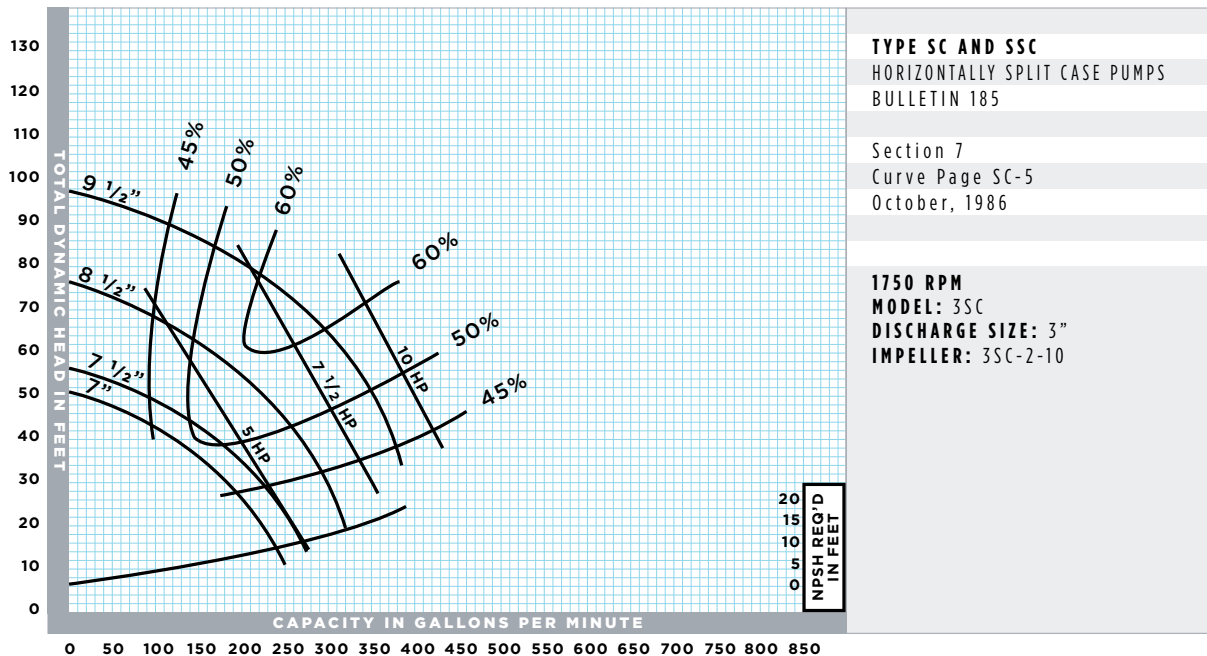


Supplemental # 0210

ADDRESS: 1144 Utica Avenue, Brooklyn, NY 11203 TEL: (718) 451-2000 URL: federalpumps.com

All images and information contained in this booklet are the sole property of The Federal Pumps Corporation, and may not be reproduced without written permission.

### Performance Chart

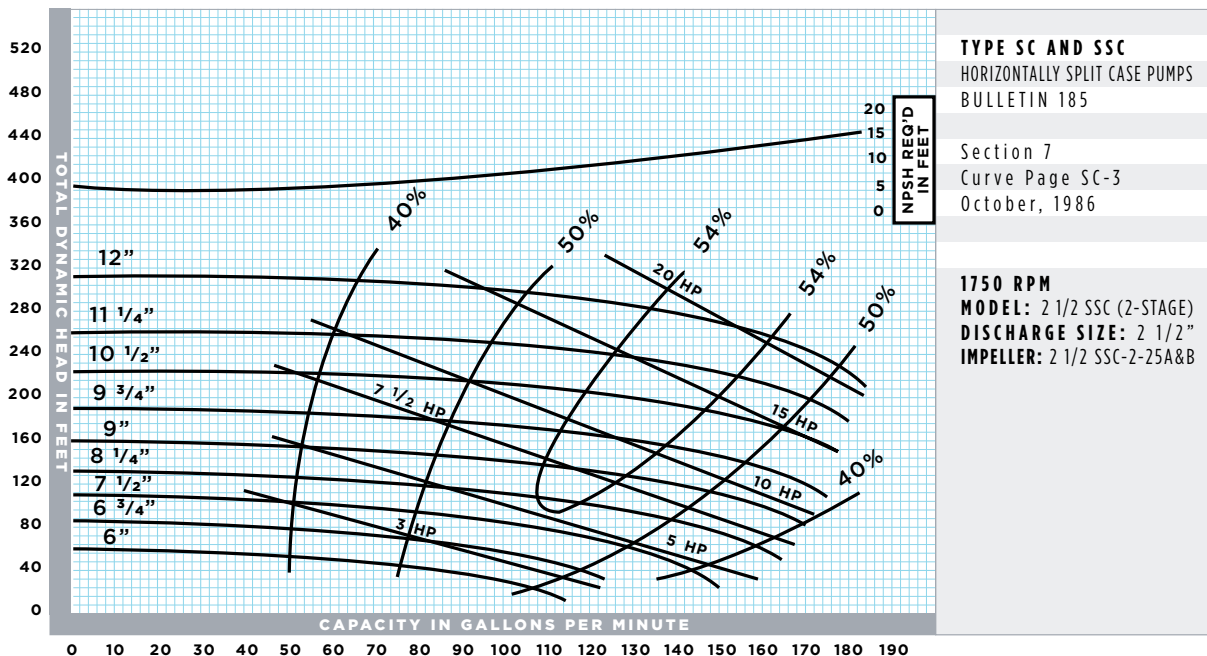
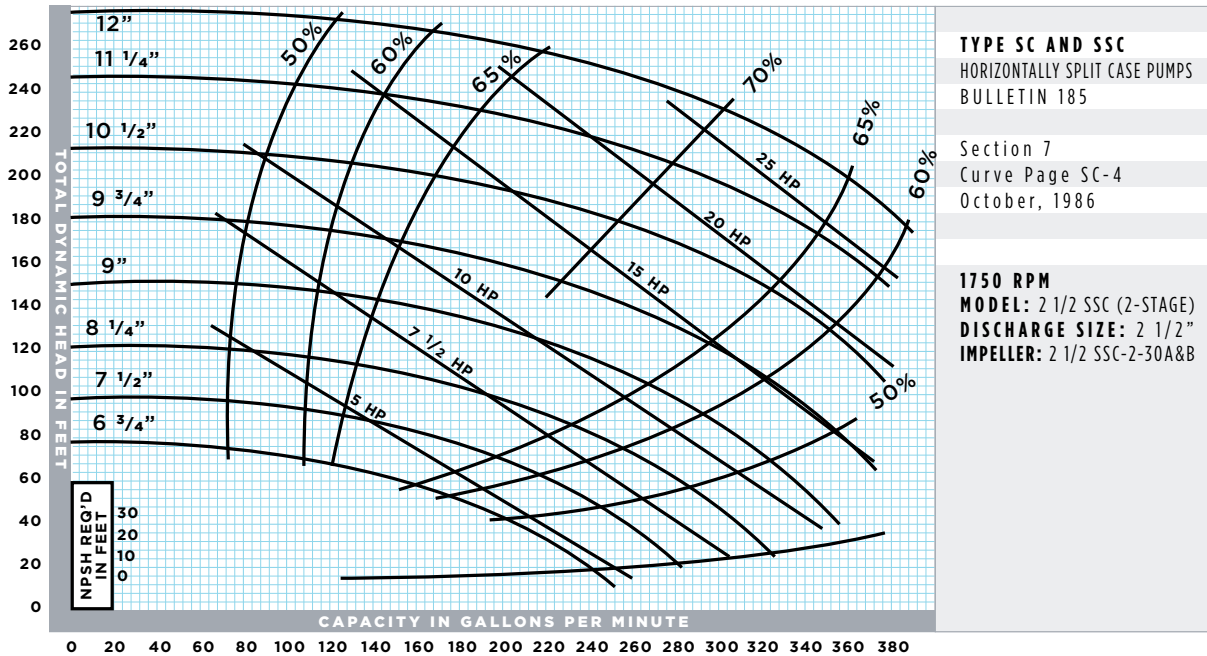


Supplemental # 0210

ADDRESS: 1144 Utica Avenue, Brooklyn, NY 11203 TEL: (718) 451-2000 URL: federalpumps.com

All images and information contained in this booklet are the sole property of The Federal Pumps Corporation, and may not be reproduced without written permission.

### Performance Chart

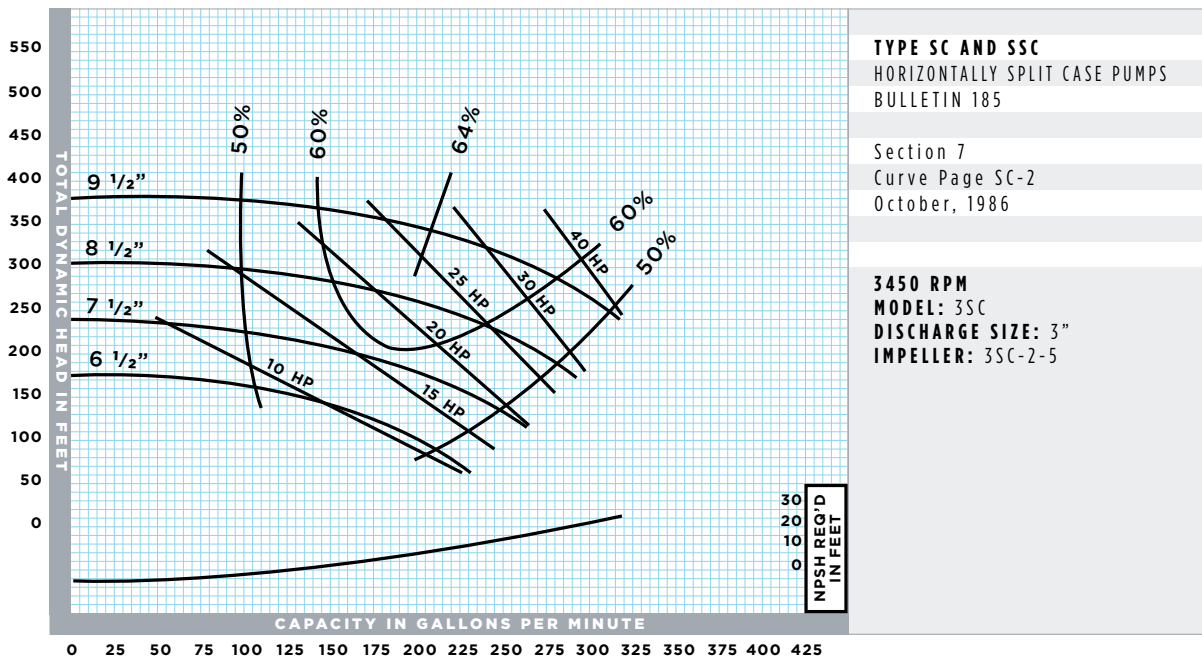
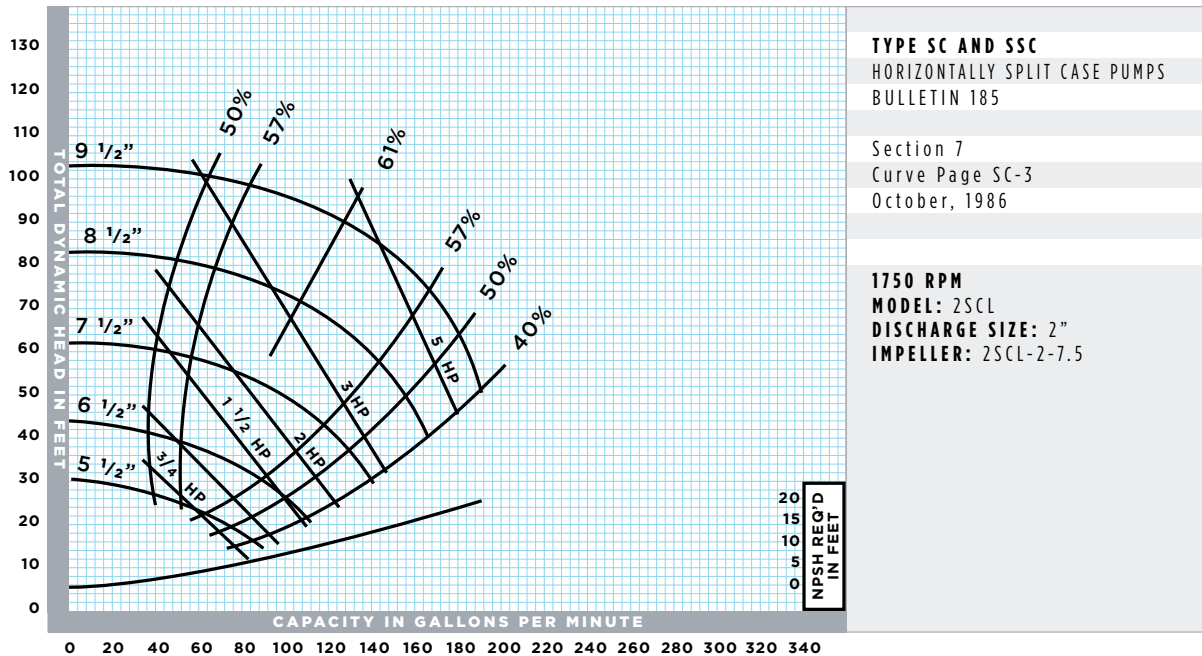


Supplemental # 0210

ADDRESS: 1144 Utica Avenue, Brooklyn, NY 11203 TEL: (718) 451-2000 URL: federalpumps.com

All images and information contained in this booklet are the sole property of The Federal Pumps Corporation, and may not be reproduced without written permission.

### Performance Chart

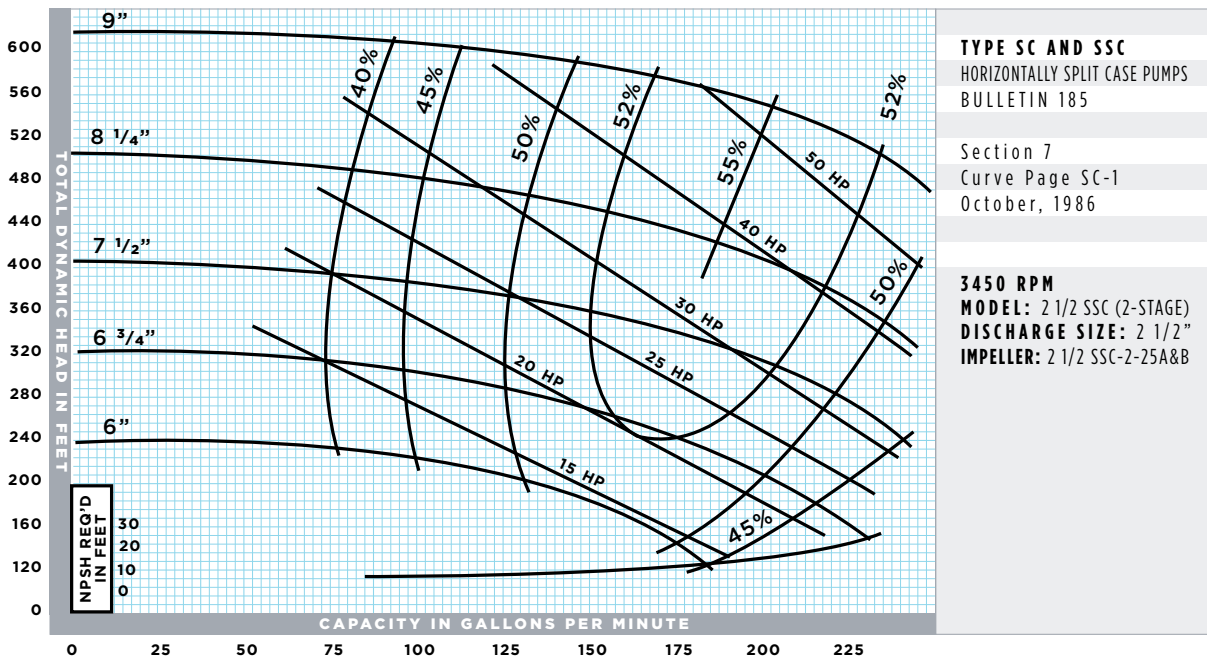
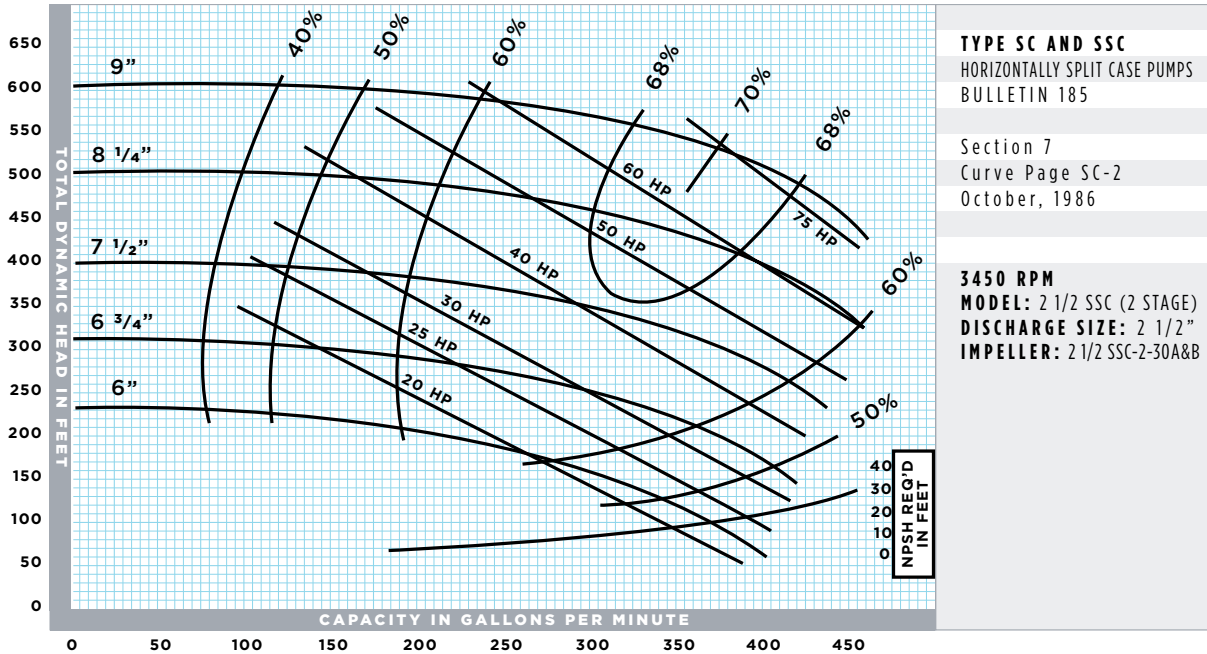


Supplemental # 0210

ADDRESS: 1144 Utica Avenue, Brooklyn, NY 11203 TEL: (718) 451-2000 URL: federalpumps.com

All images and information contained in this booklet are the sole property of The Federal Pumps Corporation, and may not be reproduced without written permission.

### Performance Chart



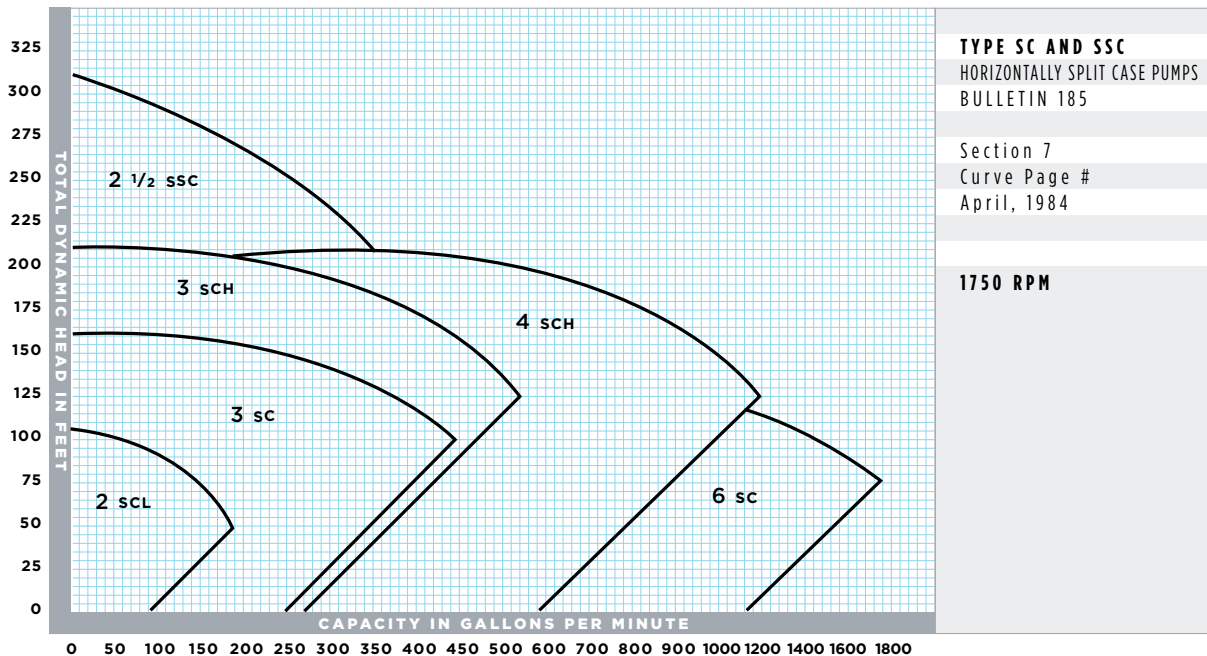
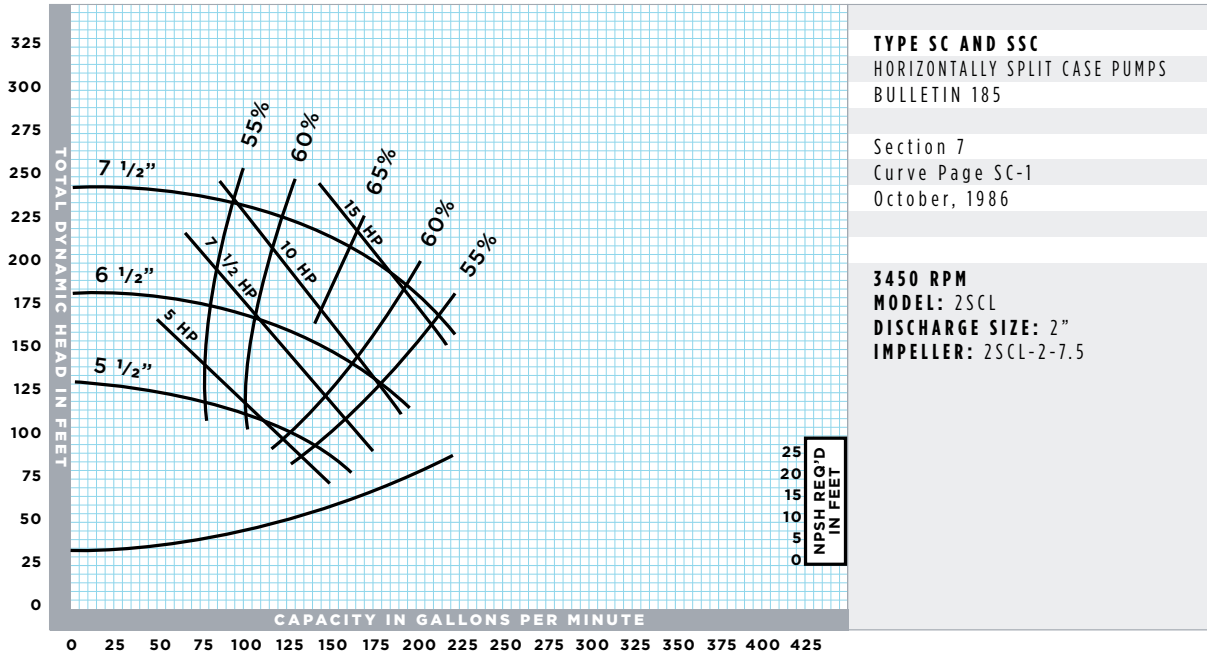
Supplemental # 0210

ADDRESS: 1144 Utica Avenue, Brooklyn, NY 11203 TEL: (718) 451-2000 URL: federalpumps.com

All images and information contained in this booklet are the sole property of The Federal Pumps Corporation, and may not be reproduced without written permission.



### Performance Chart

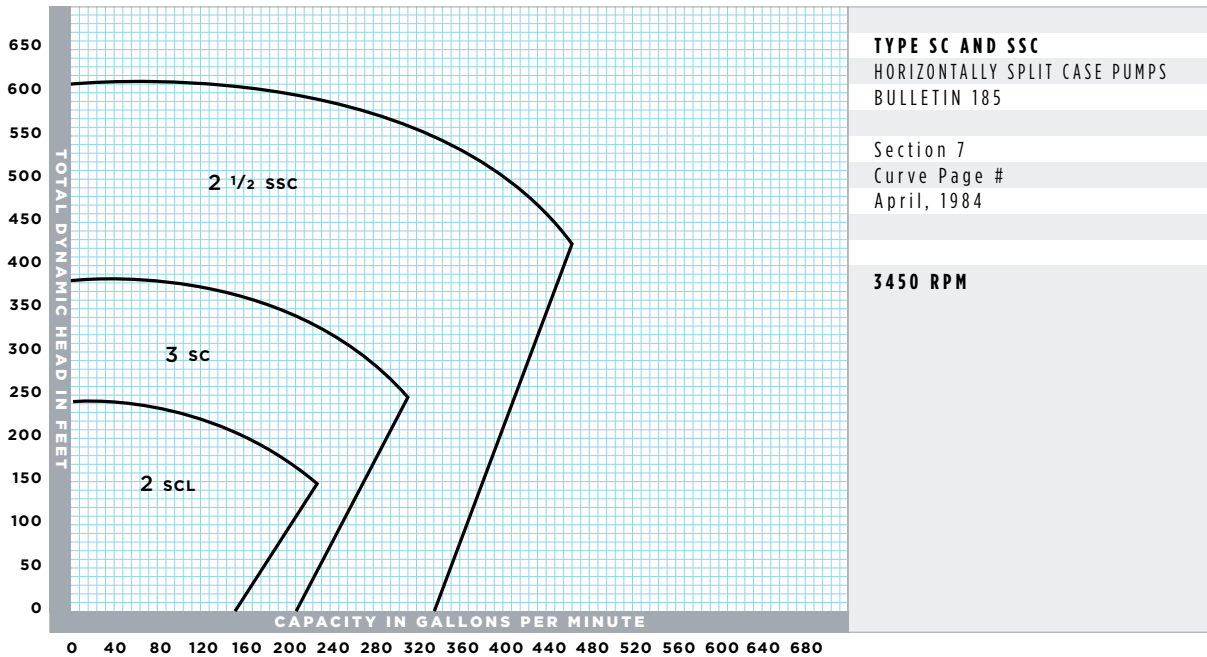


Supplemental # 0210

ADDRESS: 1144 Utica Avenue, Brooklyn, NY 11203 TEL: (718) 451-2000 URL: federalpumps.com

All images and information contained in this booklet are the sole property of The Federal Pumps Corporation, and may not be reproduced without written permission.



**Performance Chart**


**TYPE SC AND SSC**  
HORIZONTALLY SPLIT CASE PUMPS  
BULLETIN 185

Section 7  
Curve Page #  
April, 1984

**3450 RPM**



Supplemental # 0210

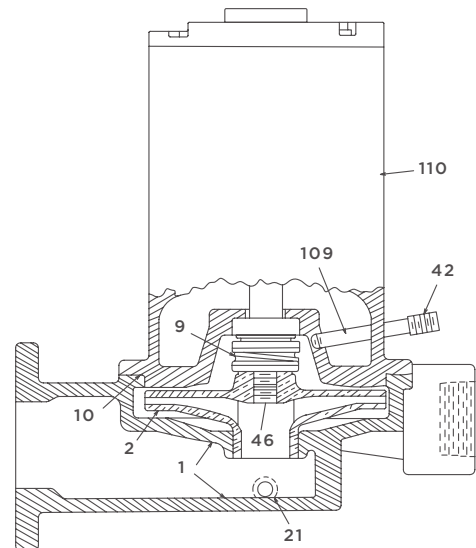
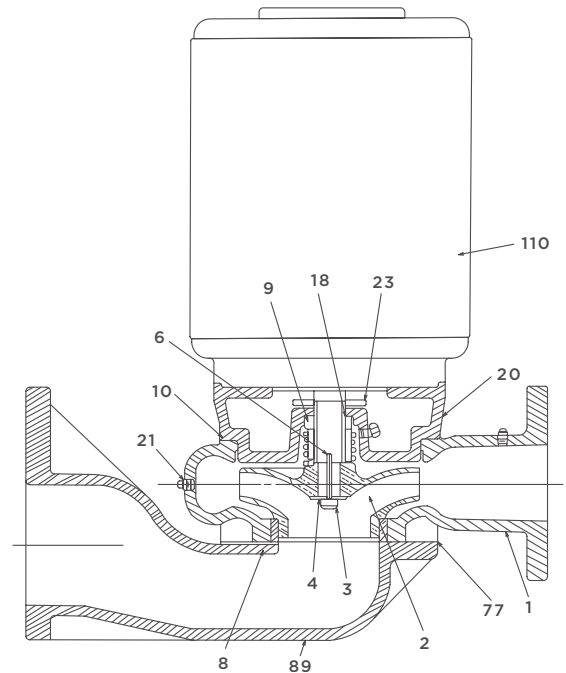
**ADDRESS:** 1144 Utica Avenue, Brooklyn, NY 11203 **TEL:** (718) 451-2000 **URL:** federalpumps.com

All images and information contained in this booklet are the sole property of The Federal Pumps Corporation, and may not be reproduced without written permission.

### Parts List & Diagram

PARTS LIST					
NO.	NAME	REQD.	BRONZE FITTED	ALL IRON	ALL BRONZE
1	CASING	1	CAST IRON	CAST IRON	BRONZE
2	IMPELLER	1	BRONZE	CAST IRON	BRONZE
3	IMPELLER LOCK SCREW	1*	ST. ST.	ST. ST.	ST. ST.
4	IMPELLER WASHER	1*	ST. ST.	ST. ST.	ST. ST.
6	IMPELLER KEY	1*	ST. ST.	ST. ST.	ST. ST.
8	CASING WEARING RING-SEE NOTE (B)	1*	BRONZE	CAST IRON	BRONZE
9	MECHANICAL SHAFT SEAL	1*	VARIOUS	VARIOUS	VARIOUS
10	CASING GASKET	1*	VELUMOID	VELUMOID	VELUMOID
18	SHAFT SLEEVE	1*	BRONZE	ST. ST.	BRONZE
20	PUMP BRACKET	1	CAST IRON	CAST IRON	BRONZE
21	PLUG	-	CAST IRON	CAST IRON	BRASS
22	CAP SCREW-SEE NOTE (A)	-	STEEL	STEEL	BRASS
23	FLINGER	1*	RUBBER	RUBBER	RUBBER
42	BY-PASS COUPLING	1	STEEL	STEEL	BRASS
46	IMPELLER SET SCREW	1*	ST. ST.	ST. ST.	ST. ST.
77	SUCTION GASKET	1*	RUBBER	RUBBER	RUBBER
89	SUCTION BRACKET	1	CAST IRON	CAST IRON	BRONZE
109	BY-PASS NIPPLE	1	STEEL	STEEL	BRASS
110	MOTOR	1	VARIOUS	VARIOUS	VARIOUS

\* Recommended spare parts to be carried in stock.  
A: Not shown  
B: Standard on CKF pumps. Optional on CCF & CGF pumps.

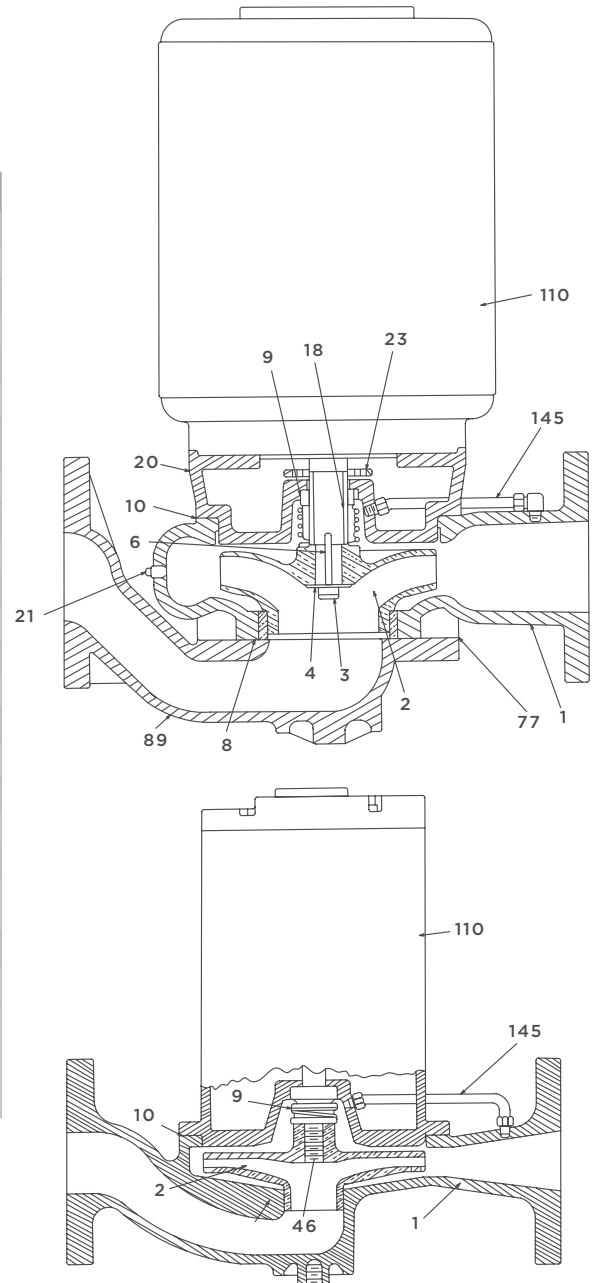


### Diagram

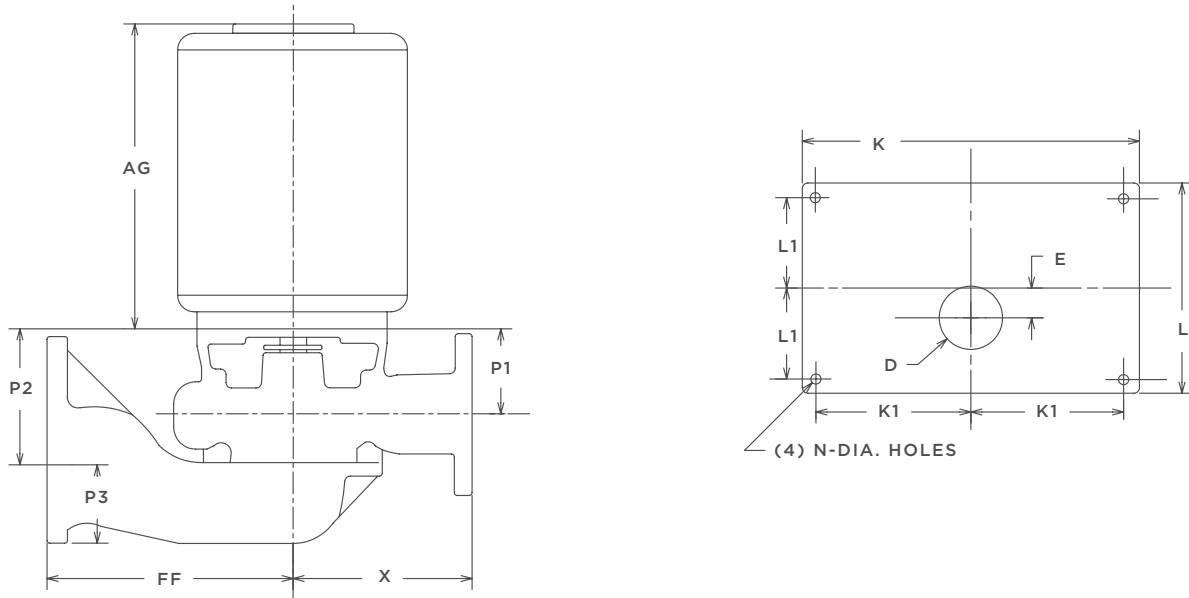
#### PARTS LIST

NO.	NAME	REQ.	BRONZE FITTED	ALL IRON	ALL BRONZE
1	CASING	1	CAST IRON	CAST IRON	BRONZE
2	IMPELLER	1	BRONZE	CAST IRON	BRONZE
3	IMPELLER LOCK SCREW	1*	ST. ST.	ST. ST.	ST. ST.
4	IMPELLER WASHER	1*	ST. ST.	ST. ST.	ST. ST.
6	IMPELLER KEY	1*	ST. ST.	ST. ST.	ST. ST.
8	CASING WEARING RING- SEE NOTE (B)	1*	BRONZE	CAST IRON	BRONZE
9	MECHANICAL SHAFT SEAL	1*	VARIOUS	VARIOUS	VARIOUS
10	CASING GASKET	1*	VELUMOID	VELUMOID	VELUMOID
18	SHAFT SLEEVE	1*	BRONZE	ST. ST.	BRONZE
19	VENT COCK-SEE NOTE (A)	1	BRASS	STEEL	BRASS
20	PUMP BRACKET	1	CAST IRON	CAST IRON	BRONZE
21	PLUG	-	CAST IRON	CAST IRON	BRASS
22	CAP SCREW-SEE NOTE (A)	-	STEEL	STEEL	BRASS
23	FLINGER	1*	RUBBER	RUBBER	RUBBER
39	STUD-SEE NOTE (C)	1	STEEL	STEEL	STEEL
46	IMPELLER SET SCREW	1*	ST. ST.	ST. ST.	ST. ST.
50	NUT-SEE NOTE (C)	1	STEEL	STEEL	STEEL
77	SUCTION GASKET	1*	RUBBER	RUBBER	RUBBER
88	FLOOR STANDSEE NOTE (C)	1	CAST IRON	CAST IRON	CAST IRON
110	MOTOR	1	VARIOUS	VARIOUS	VARIOUS
145	SEAL BY-PASS ASSEMBLY	1	COP. -BRASS	PLAS. -STEEL	COP. -BRASS

\* Recommended spare parts to be carried in stock.  
A: Not shown.  
B: Standard on CKL pumps. Optional on CCL & CGL pumps.  
C: For pumps with optional floor stand only.



### Diagram



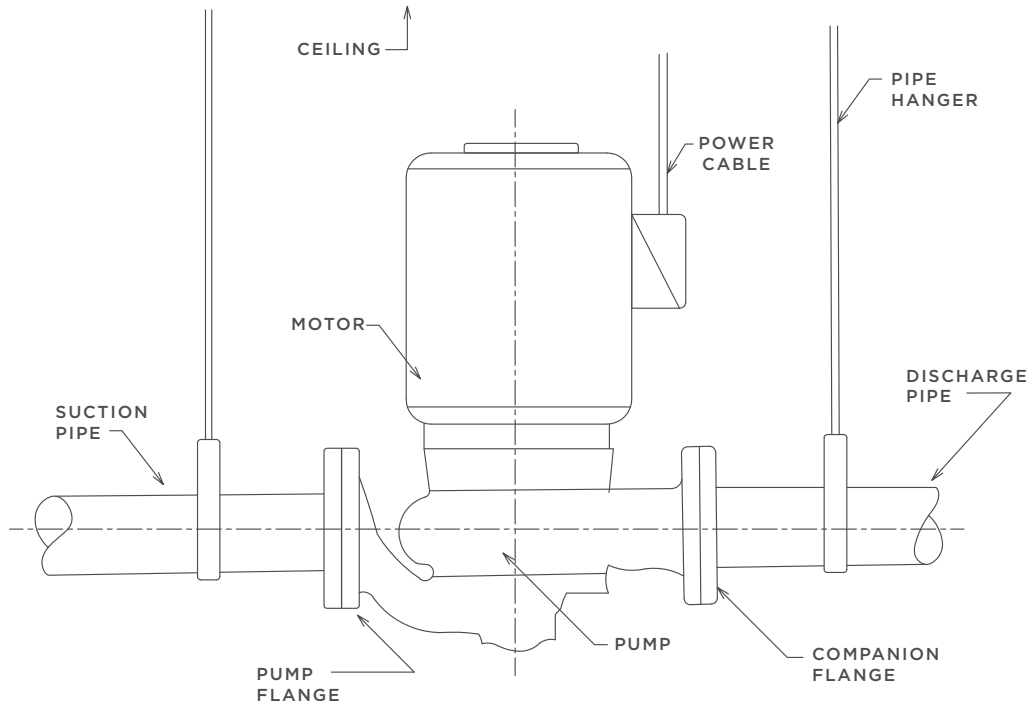
#### DIMENSIONS

PUMP MODEL	SUCTION	DISCHARGE	D	E	FF	K	K1	L	L1	N	P1	P2	P3	X
1.25CCF	FLANGE (INTEGRAL)	1.25	2	0	5.75	7.75	3.13	4.75	1.75	0.5	1	1.75	2.375	4.625
1.5CCF	FLANGE (CV-89A)	1.5	3	0.375	9.25	10	3.5	6	2.25	0.625	2.75	4.5	2.375	6
1CGF	FLANGE (CV-89)	1	3	0	8	7.5	3.13	4.5	1.75	0.438	3.625	6.375	2.375	7
1.5CGF	FLANGE (CV-89A)	1.5	3	0.5	9.25	10	3.5	6	2.25	0.625	3.75	5.5	2.375	8
2CGF	FLANGE (CV-89A)	2	3	0.5	9.25	10	3.5	6	2.25	0.625	4	6.375	2.375	8
2.5CGF	FLANGE (KV-89)	2.5	3	0.75	8	10	3.5	6	2.25	0.625	4.5	6.5	2.25	8
1.5CKF	FLANGE (CV-89A)	1.5	3	0.5	8	10	3.5	6	2.25	0.625	3	7.375	2.375	10
2CKF	FLANGE (CV-89A)	2	3	0.5	8	10	3.5	6	2.25	0.625	4	7.75	2.375	10
2CKHF	FLANGE (KV-89)	2	3	0.75	8	10	3.5	6	2.25	0.625	4.375	7.75	2.25	11.5
2.5CKF	FLANGE (KV-89)	2.5	3	0.75	8	10	3.5	6	2.25	0.625	4.375	7.625	2.25	10.5

- 1: All Dimensions are in inches unless otherwise noted.
- 2: Do not use for construction purposes unless certified.
- 3: All Discharge connections are 125# ASA standard flanges, except the 1-1/4CCF model, which has an IPS discharge connection.
- 4: For 25 HP and 30 HP, 3450 RPM models, P1 and P2 dimensions are one inch more than shown in the tables.



### Diagram



### DIMENSIONS

MOTOR FRAME	1750 RPM HP	3450 RPM HP	AG
56C	.75 AND LESS	1 AND LESS	11
143JM	1	1 THRU 1.5	12
145JM	1.5 THRU 2	2 THRU 3	12
182JM	3	5	14
184JM	5	7.5	14
213JM	7.5	10	16
215JM	10	15	18
254JM	15	20	21
256JM	-	25 SEE NOTE (4)	23
284JM	-	30 SEE NOTE (4)	23

- 1: All Dimensions are in inches unless otherwise noted.
- 2: Do not use for construction purposes unless certified.
- 3: All Discharge connections are 125# ASA standard flanges, except the 1.25CCF model, which has an IPS discharge connection.
- 4: For 25 HP and 30 HP, 3450 RPM models, P1 and P2 dimensions are one inch more than shown in the tables.

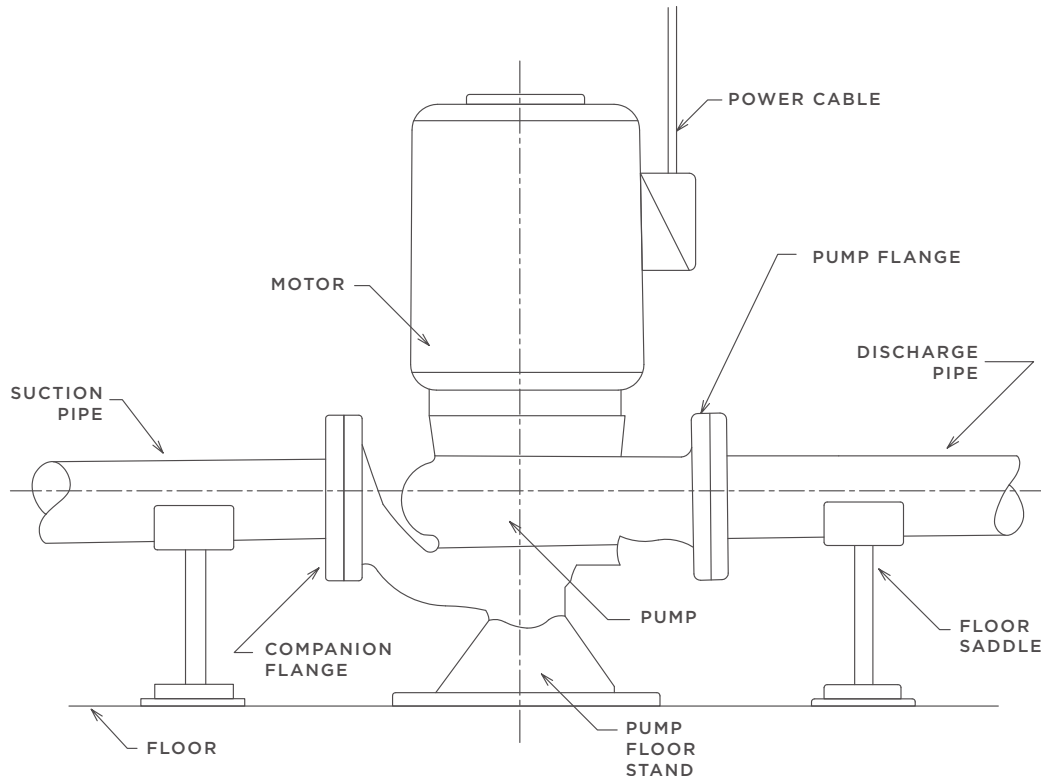


Supplemental # 0210

**ADDRESS:** 1144 Utica Avenue, Brooklyn, NY 11203 **TEL:** (718) 451-2000 **URL:** federalpumps.com

All images and information contained in this booklet are the sole property of The Federal Pumps Corporation, and may not be reproduced without written permission.

### Diagram



DIMENSIONS						
IN-LINE PUMP MODEL	SUCTION*	DISCHARGE*	X	XX	Y	YY
1.5CCL	1.5	1.5	6	6	2.75	0.625
2CCL	2	2	6	6	2.75	1
1.5CGL	1.5	1.5	8	8	4.25	4
2CGL	2	2	8	8	4.75	4.125
2.5CGL	2.5	2.5	8	9.5	6	4
3CGL	3	3	8.75	10	6.5	4.125
1.5CKL	1.5	1.5	10	10	4.75	4
2CKL	2	2	10	10	6	4.25
2.5CKL	2.5	2.5	10.5	10.5	6.25	4.25
3CKL	3	3	11	12.5	7.125	4.5

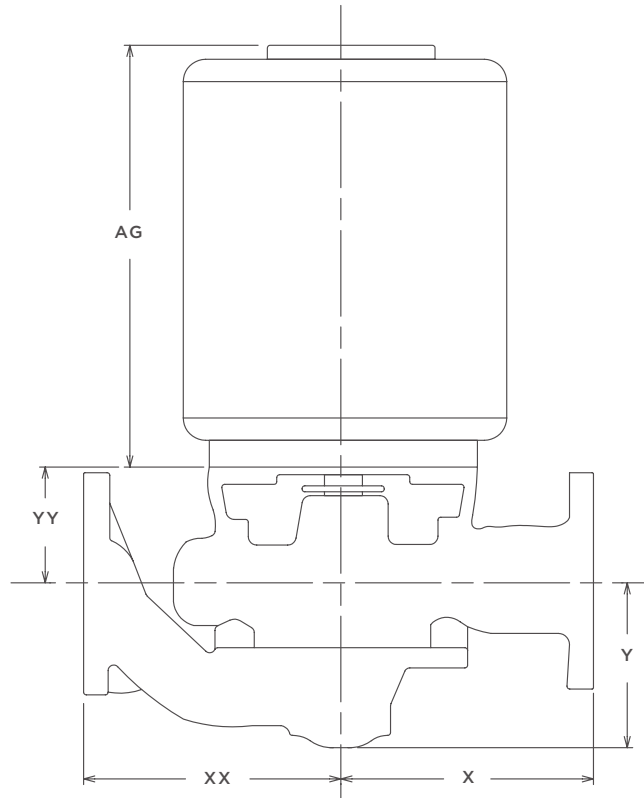
\* All pump suction and discharge flange connections are 125# standard ASA flanges.  
 All dimensions are in inches unless otherwise noted. Do not use for construction purposes unless certified.



Supplemental # 0210

**ADDRESS:** 1144 Utica Avenue, Brooklyn, NY 11203 **TEL:** (718) 451-2000 **URL:** federalpumps.com

All images and information contained in this booklet are the sole property of The Federal Pumps Corporation, and may not be reproduced without written permission.

**Diagram**


DIMENSIONS			
MOTOR FRAME	1750 RPM HP	3450 RPM HP	AG
56C	.75 AND LESS	1 AND LESS	11
143JM	1	1 THRU 1.5	12
145JM	1.5 THRU 2	2 THRU 3	12
182JM	3	5	14
184JM	5	7.5	14
213JM	7.5	10	16
215JM	10	15	18
254JM	15	20	21
256JM	20	25	23
284JM	25	30	23

\* All pump suction and discharge flange connections are 125# standard ASA flanges. All dimensions are in inches unless otherwise noted. Do not use for construction purposes unless certified.



Supplemental # 0210

**ADDRESS:** 1144 Utica Avenue, Brooklyn, NY 11203 **TEL:** (718) 451-2000 **URL:** federalpumps.com

All images and information contained in this booklet are the sole property of The Federal Pumps Corporation, and may not be reproduced without written permission.