

TYPE

.....  
**ALTV**

**AUTOMATIC LAUNDRY  
TRAY UNIT**



Automatic laundry tray unit. Water lower than sewer level. 10 gallon steel receiver, 1/3 hp, 115v. Discharge size 1”.

**HIGHLIGHTS**

- ⌘ For Waste Water Lower than Sewer Level
- ⌘ Laundry Tray Water
- ⌘ Sink Water
- ⌘ Washing Machine Water
- ⌘ Display-Case Water
- ⌘ Cold Condensate Disposal
- ⌘ Factory Assembled Unit
- ⌘ Easy Installation
- ⌘ Simple Maintenance
- ⌘ Pump and Switch Removable without Disconnecting Inlet Piping

## FEATURES

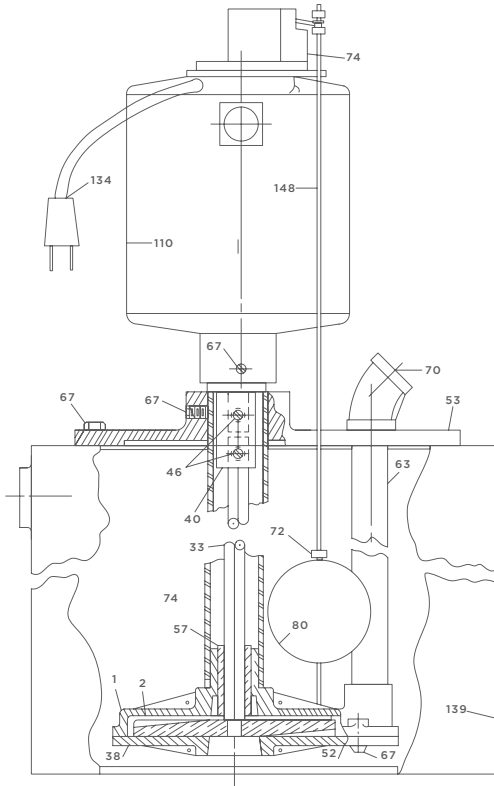
**TANK:** Heavy fabricated steel; 10 gallon capacity.

**PUMP:** Standard-fitted construction, with stainless steel shaft, bronze bearing and aluminum non-clog impeller.

**MOTOR:** 1/3 hp, 1750 rpm, single phase, 60 cycle, 115 volts, with built-in overload protective device and extension cord with plug.

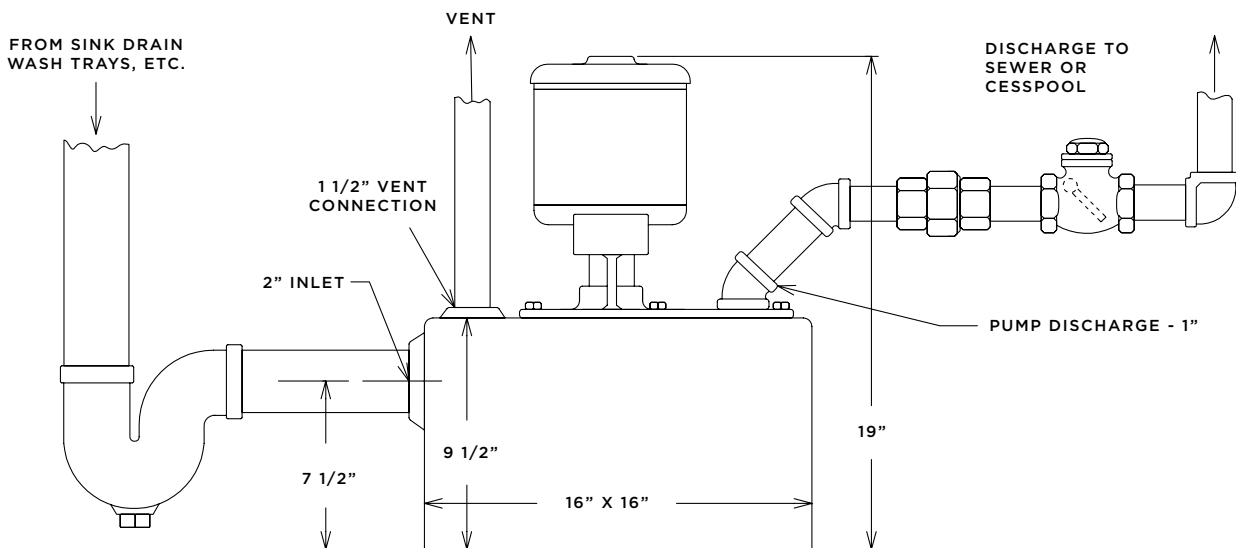
**FLOAT SWITCH:** Motor-mounted float switch is operated by float ball, rod, and adjustable stops.

Performance Table	
CAPACITIES	PUMPING HEADS
25 gpm	5 ft
20 gpm	10 ft
15 gpm	15 ft
10 gpm	20 ft



Parts List			
Number	Name	Required	Material
1	PUMP CASING	1	CAST IRON
2	IMPELLER	1*	ALUMINUM
33	SHAFT	1*	ST.ST.
38	SUCTION PLATE	1	CAST IRON
40	COUPLING	1*	STEEL
46	ADJUSTING SCREW	2*	STEEL
52	LOCK WASHER	5	STEEL
53	SUPPORT PLATE	1	ALUMINUM
56	SUPPORT LEG	1	STEEL
57	PUMP BEARING	1*	BRONZE
63	DISCHARGE PIPE	1	GALV. STEEL
67	SUPPORT PLATE SCREW	3	CADMIUM STEEL
67	MOTOR SET SCREW	3*	STEEL
67	SUPPORT LEG SET SCREW	1	STEEL
67	MACHINE SCREW	5	BRASS
70	DISCHARGE ELBOW	1	GALV. MALL. IRON
72	FLOAT STOP	4	ALUMINUM
74	FLOAT SWITCH	1*	VARIOUS
80	FLOAT	2*	PLASTIC
110	MOTOR	1	VARIOUS
134	POWER CORD & PLUG	1*	VARIOUS
139	TANK	1	STEEL
148	FLOAT ROD	1*	BRASS

\* Recommended spare parts to be carried in stock.



ADDRESS: 1144 Utica Avenue, Brooklyn, NY 11203 TEL: (718) 451-2000 URL: federalpumps.com