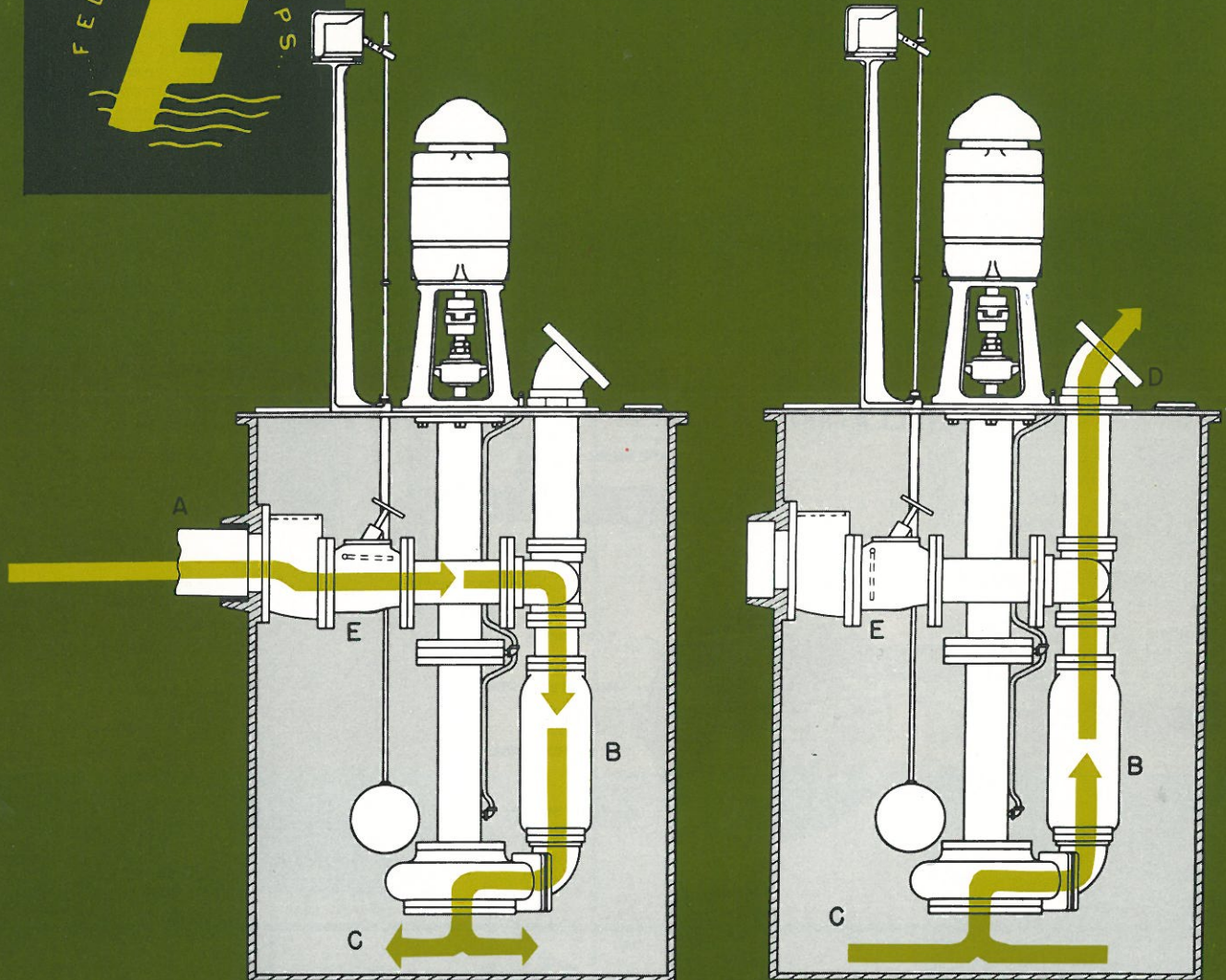


TYPE

'VSAF'

FED-FLUSH sewage ejector system



IN-FLOW CYCLE

Sewage water with solids enter from house line (A). Solids are held in strainer (B) and water continues into basin (C).

DISCHARGE CYCLE

Water is pumped from basin (C), flushes solids in strainer (B) out into discharge line (D). Control valve (E) prevents backup into house line.

ESTABLISHED 1927



FEDERAL PUMP CORPORATION

1144 UTICA AVENUE • BROOKLYN, N. Y. 11203